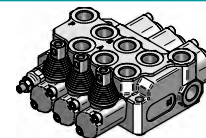
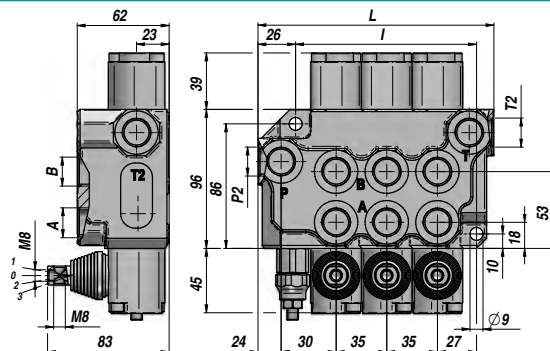
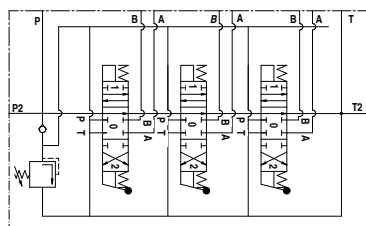


DISTRIBUTEUR MONOBLOC
MONOBLOCK VALVE
DISTRIBUIDOR MONOBLOQUE

Qn
50 l/min

Q max
60 l/min

BM 50



Code Code Código	Type Type Tipo	N° Leviers Sections No. Nr. Palancas	Orifices - Threads - Orificios					PN bar	P MAX U bar	P MAX S bar	L	I	kg
			A-B BSP	P BSP	T BSP	P2 BSP	T2 BSP						
DBM3111001	BM 50/1/GU/MO A1	1									94	55	2,80
DBM3211001	BM 50/2/GU/MO A1x2	2									129	90	4,20
DBM3311001	BM 50/3/GU/MO A1x3	3									164	125	5,50
DBM3411001	BM 50/4/GU/MO A1x4	4	1/2"	1/2"	1/2"	1/2"	1/2"	250	320	80	199	160	6,70
DBM3511001	BM 50/5/GU/MO A1x5	5									234	195	7,90
DBM3611001	BM 50/6/GU/MO A1x6	6									269	230	9,30
DBM3811001	BM 50/8/GU/MO A1x8	8									339	300	12,80

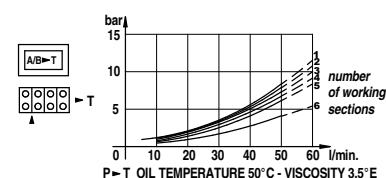
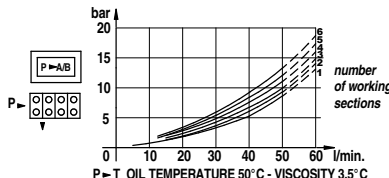
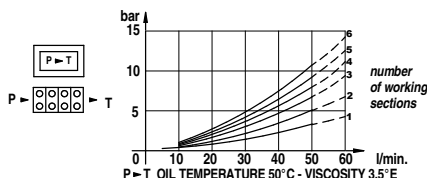
PN = Pression nominale - Nominal pressure - Presión nominal

P MAX U = Pression maxi sur les orifices - Max. pressure on ports - Presión Max. sobre los orificios

P MAX S = Pression maxi sur le retour - Max. pressure in tank-line - Presión Max. al retorno

Limiteur de pression - Relief Valve - Limitador de presión: X = 30:90 bar (70) - U = 80:230 bar (140) (Standard) - K = 150:300 bar (200)

LES CODES CORRESPONDENT A - THESE CODES AND PRICES REFER TO - LOS CODIGOS SE REFIEREN A LOS MODELOS DE:
DOUBLE EFFET - 3 POSITIONS - RAPPEL RESSORT - A/B FERMEE - ORIFICES BSP - PREDISPOSITION POUR CENTRE A SUIVRE
DOUBLE ACTING TYPE - 3 POSITIONS - SPRING RETURN - A/B PORTS CLOSED - BSP THREADS - MACHINED FOR CARRY-OVER
DOBLE EFECTO - 3 POSICIONES - RETORNO POR MUELLE - A/B CERRADOS - ROSCAS BSP - PREPARADO PARA RETORNO A PRESION (CARRY-OVER)



TIROIR SPOOL TYPE - CORREDERAS	
A	
B	
C	
D	
L	
Z	

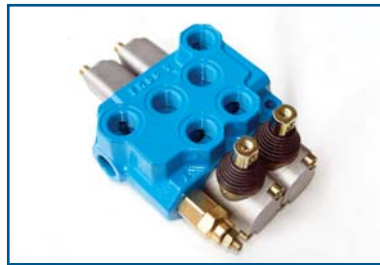
POSITIONNEUR SPOOL CONTROL - POSICIONADOR	
1	
2	
3	
6	
7	
8	
12	
42	

SUR DEMANDE ON REQUEST - BAJO PEDIDO	
MC	commande manuelle + teton manual operator with cam accionamiento manual con leva
MX	levier de sécurité safety lever palanca de seguridad
DO	came de commande cam operator control por levas
JS	double commande joystick joystick
1P	commande pneumatique pneumatic operator accionamiento neumático
MSW	microrupteur microswitch microinterruptor
CO	centre a suivre power beyond (carry over) retorno a presión (carry over)
CCP	centre fermé closed center plug centro cerrado

BM50 da 1 a 6 leve

BM50 from 1 to 6 levers

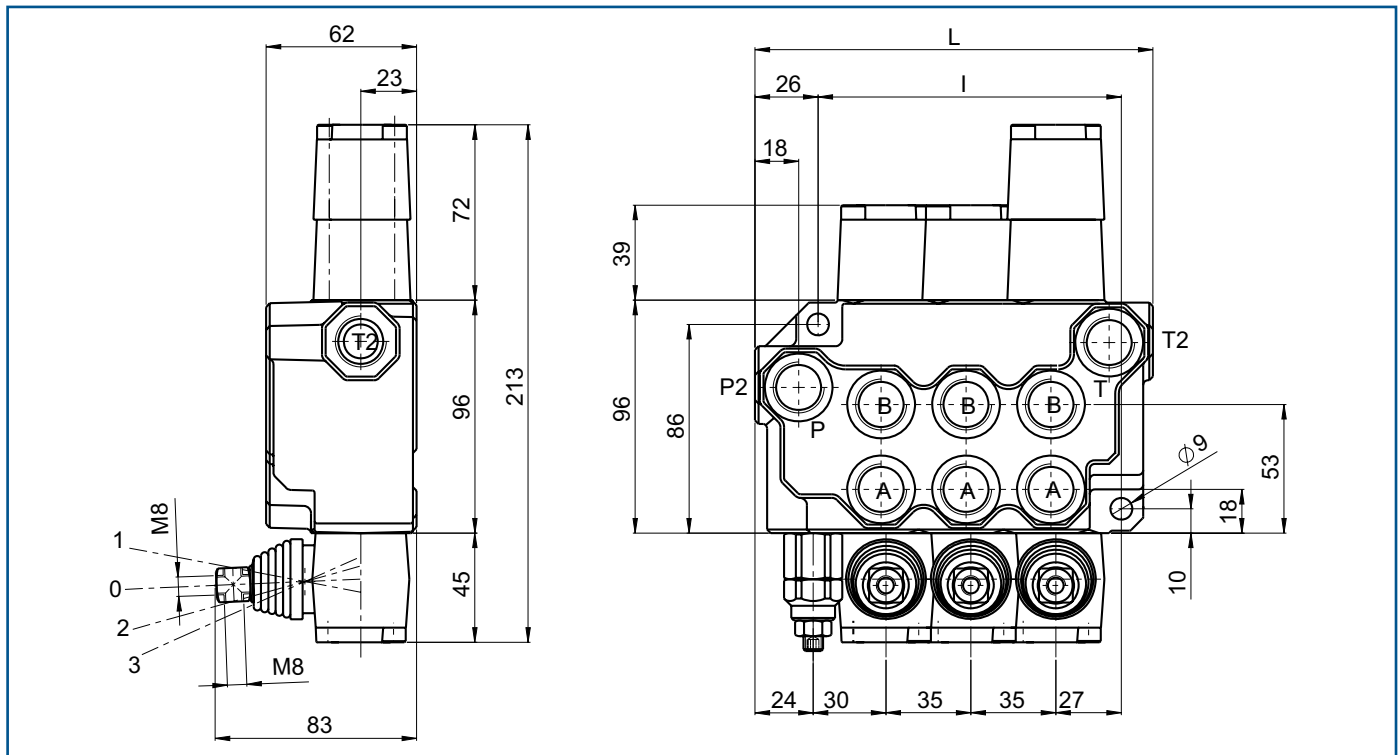
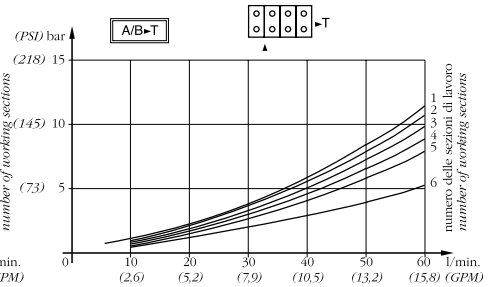
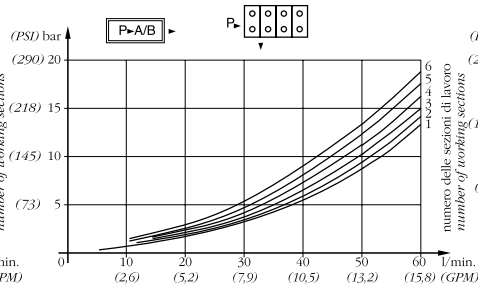
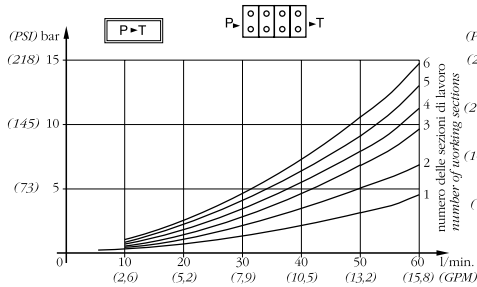
Caratteristiche generali / Technical characteristics		
	l/min	GPM
• Portata nominale / Nominal flow	50	13,1
• Portata limite / Max flow	60	15,9
	bar	PSI
• Pressione nominale / Nominal pressure	250	3600
• Pressione max sugli utilizzi / Max pressure on ports	320	4700
• Contropressione max allo scarico / Max pressure in tank-line	80	1100



P-T - TEMPERATURA OLIO 50°C - VISCOSITÀ 3,5°E

P-A/B - TEMPERATURA OLIO 50°C - VISCOSITÀ 3,5°E

A/B-T - TEMPERATURA OLIO 50°C - VISCOSITÀ 3,5°E



MOD	L	I	Kg
BM50/1	94	55	2,8
BM50/2	129	90	4,2
BM50/3	164	125	5,5
BM50/4	199	160	6,7
BM50/5	234	195	7,9
BM50/6	269	230	9,3

FILETTATURA STANDARD - STANDARD THREADS					
COD	A-B	P	T	P ₂	T ₂
G	1/2"	1/2"	1/2"	1/2"	1/2"
F	7/8" - 14	7/8" - 14	7/8" - 14	7/8" - 14	7/8" - 14

◀ Su richiesta filettature diverse
Other threads available on request

