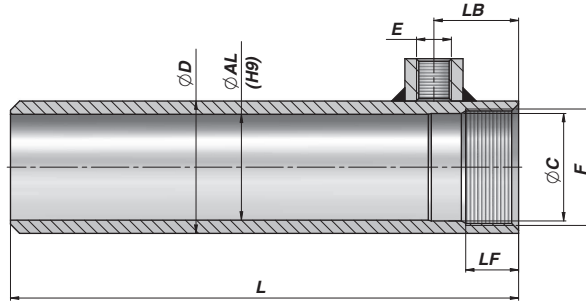
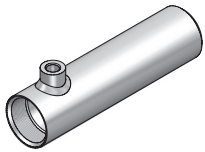


STL

TUBE USINE AVEC BOSSAGE SOUDE
TURNED CYLINDER TUBE WITH WELDED THREADED PORT

Series M250



Code Code	ØAL	Course Stroke	L	ØD	E BSP	LB	F	LF	ØC	kg
STL6700200	100	200	360	115	1/2"	70	M105x2	52	100,6	7,17
STL6700250		250	410							8,16
STL6700300		300	460							9,14
STL6700400		400	560							11,12
STL6700500		500	660							13,09
STL6700600		600	760							15,07
STL6700700		700	860							16,81
STL6700800		800	960							19,02
STL6701000		1000	1160							22,97
STL6701500		1500	1660							32,89

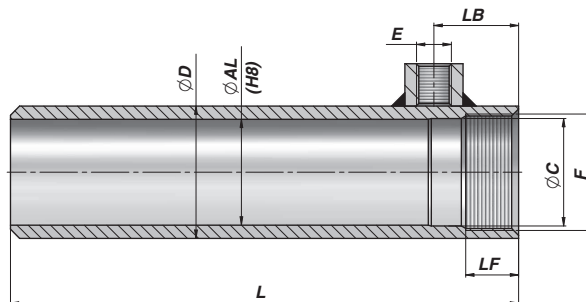
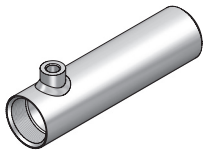
MATERIEL TUBE : ACIER St 52.3 DIN 2393 ISO H9

TUBE MATERIAL : STEEL St 52.3 DIN 2393 ISO H9

STS

TUBE USINE AVEC BOSSAGE SOUDE
TURNED CYLINDER TUBE WITH WELDED THREADED PORT

Series M250



Code Code	ØAL	Course Stroke	L	ØD	E BSP	LB	F	LF	ØC	kg							
STS5700200	80	200	335	95	1/2"	50	M85x2	34	80,6	5,44							
STS5700250		250	385							6,25							
STS5700300		300	435							7,05							
STS5700400		400	535							8,66							
STS5700500		500	635							10,27							
STS5700600		600	735							11,87							
STS5700800		800	935							15,09							
STS5701000		1000	1135							18,31							
STS6700200		100	200							360	115	1/2"	70	M105x2	52	100,6	7,17
STS6700250			250							410							8,16
STS6700300	300		460	9,14													
STS6700400	400		560	11,12													
STS6700500	500		660	13,09													
STS6700600	600		760	15,07													
STS6700800	800		960	19,02													
STS6701000	1000		1160	22,97													

MATERIEL TUBE : ACIER St 52.3 DIN 2391 ISO H8

TUBE MATERIAL : STEEL St 52.3 DIN 2391 ISO H8