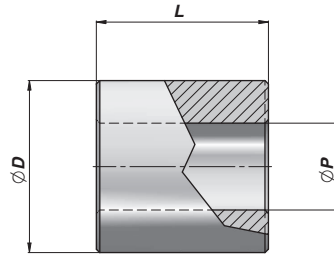
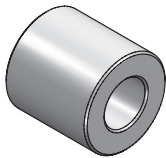


CBX

**DOUILLE INOX
STAINLESS STEEL BUSH**



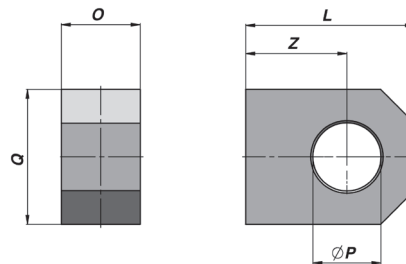
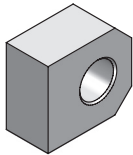
Code Code	ØP	ØD	L	kg
CBX016035030	16.20	35	30	0,18
CBX020040040	20.25	40	40	0,29
CBX025050050	25.25	50	50	0,56
CBX030060060	30.25	60	60	0,97

MATERIEL : AISI 316 INOX

MATERIAL : AISI 316 STAINLESS STEEL

COFX

**CHAPE MALE INOX
STAINLESS STEEL MALE CLEVIS**



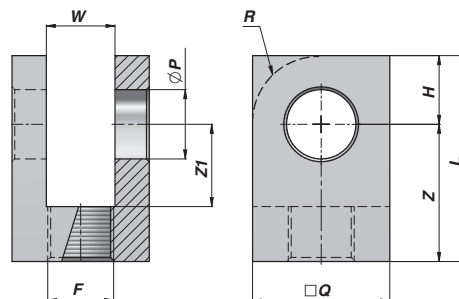
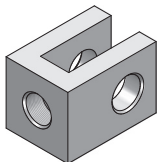
Code Code	ØP	O	Q	Z	L	kg
COFX0200000	20.25	25	45	30	50	0,35

MATERIEL : AISI 316 INOX

MATERIAL : AISI 316 STAINLESS STEEL

CFFX

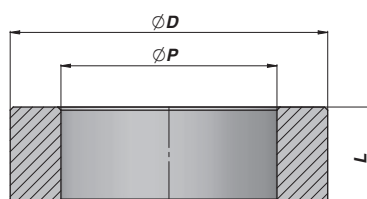
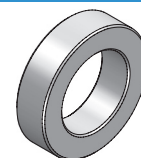
**CHAPE FEMELLE TARAUEE INOX
STAINLESS STEEL THREADED FORK**



Code Code	ØP	L	Z	Z1	H	Q	W	F	kg
CFFX0161615	16.20	55	39	24	16	35	16	M16x1.5	0,30
CFFX0202015	20.25	65	45	30	20	40	20	M20x1.5	0,40
CFFX0252420	25.25	75	50	30	25	50	25	M24x2	0,75

MATERIEL : AISI 316 INOX

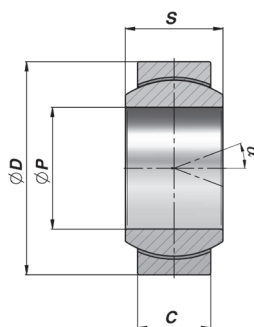
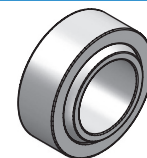
MATERIAL : AISI 316 STAINLESS STEEL

BAGUE A SOUDER INOX POUR ROTULE "GE TGR"
STAINLESS STEEL WELD-RING FOR "GE TGR" BALL-JOINT
CAGEX


Code Code	Per For	ØD	L	ØP	kg
CAGEX050035	GE ø20	50	14	35	0,11
CAGEX069042	GE ø25	69	19	42	0,35
CAGEX075047	GE ø30	75	20	47	0,41
CAGEX094062	GE ø40	94	26	62	0,79

MATERIEL : AISI 316 INOX

MATERIAL : AISI 316 STAINLESS STEEL

ROTULE RADIALE SANS ENTRETIEN
MAINTENANCE FREE RADIAL BALL-JOINT
GE TGR


Code Code	ØP	ØD	S	C	α	FC	kg
CGE0003603	20	35	16	12	9	41.5	0,06
CGE0003604	25	42	20	16	7	68.0	0,12
CGE0003605	30	47	22	18	6	88.0	0,16
CGE0003607	40	62	28	22	7	140.0	0,32

FC = CHARGE DYN. MAXI - MAX DYNAMIC LOAD

ACCOUPLLEMENT - COUPLING : ACIER/PTFE - STEEL/PTFE

MATERIEL : INOX AISI420 - ISO 12240-1 SERIE G

MATERIAL : STAINLESS STEEL AISI420 - ISO 12240-1 SERIE G

non richiedenti manutenzione/maintenance free

SR...TGR ACCIAIO INOX / STAINLESS STEEL

SR...TG3A-2RS ACCIAIO INOX / STAINLESS STEEL

(GE...TXGR; GE...TXG3E-2LS; GE...TXG3A-2LS; GE...ET-X; GE...XT-2RSX)

SNODI SFERICI RADIALI

ISO 12240-1 SERIE G

SERIE IN ACCIAIO INOSSIDABILE, NON RICHIEDENTI MANUTENZIONE

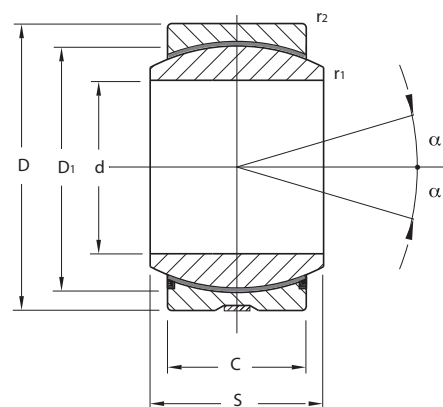
ACCOPIAMENTO: ACCIAIO SU PTFE

SPHERICAL PLAIN BEARINGS

ISO 12240-1 SERIES G

SERIES IN STAINLESS STEEL, MAINTENANCE FREE

COUPLING: STEEL ON PTFE



SIGLA CODE	d	D	S	C	TOLLERANZA TOLERANCE				r1	r2
					d	D	S	C		
mm.										
SR 12TGR	12	22	10	7	0 ± -0.008	0 ± -0.009	0 ± -0.12	0 ± -0.24	0.3	0.3
SR 15TGR	15	26	12	9	0 ± -0.008	0 ± -0.009	0 ± -0.12	0 ± -0.24	0.3	0.3
SR 17TGR	17	30	14	10	0 ± -0.008	0 ± -0.009	0 ± -0.12	0 ± -0.24	0.3	0.3
SR 20TGR	20	35	16	12	0 ± -0.010	0 ± -0.011	0 ± -0.12	0 ± -0.24	0.6	0.6
SR 25TGR (2RS)	25	42	20	16	0 ± -0.010	0 ± -0.011	0 ± -0.12	0 ± -0.24	0.6	0.6
SR 30TGR (2RS)	30	47	22	18	0 ± -0.010	0 ± -0.011	0 ± -0.12	0 ± -0.24	0.6	0.6
SR 35TGR (2RS)	35	55	25	20	0 ± -0.012	0 ± -0.013	0 ± -0.12	0 ± -0.30	0.6	1.0
SR 40TGR (2RS)	40	62	28	22	0 ± -0.012	0 ± -0.013	0 ± -0.12	0 ± -0.30	0.6	1.0
SR 45TGR (2RS)	45	68	32	25	0 ± -0.012	0 ± -0.013	0 ± -0.12	0 ± -0.30	0.6	1.0
SR 50TGR (2RS)	50	75	35	28	0 ± -0.012	0 ± -0.013	0 ± -0.12	0 ± -0.30	0.6	1.0
SR 55TGR (2RS)	55	85	40	32	0 ± -0.015	0 ± -0.015	0 ± -0.15	0 ± -0.40	1.0	1.0
SR 60TGR (2RS)	60	90	44	36	0 ± -0.015	0 ± -0.015	0 ± -0.15	0 ± -0.40	1.0	1.0
SR 70TG3A (2RS)	70	105	49	40	0 ± -0.015	0 ± -0.015	0 ± -0.15	0 ± -0.40	1.0	1.0
SR 80TG3A (2RS)	80	120	55	45	0 ± -0.015	0 ± -0.015	0 ± -0.15	0 ± -0.40	1.0	1.0
SR 90TG3A (2RS)	90	130	60	50	0 ± -0.020	0 ± -0.018	0 ± -0.20	0 ± -0.50	1.0	1.0
SR 100TG3A-2RS	100	150	70	55	0 ± -0.020	0 ± -0.018	0 ± -0.20	0 ± -0.50	1.0	1.0
SR 110TG3A-2RS	110	160	70	55	0 ± -0.020	0 ± -0.025	0 ± -0.20	0 ± -0.50	1.0	1.0
SR 120TG3A-2RS	120	180	85	70	0 ± -0.020	0 ± -0.025	0 ± -0.20	0 ± -0.50	1.0	1.0
SR 140TG3A-2RS	140	210	90	70	0 ± -0.025	0 ± -0.030	0 ± -0.25	0 ± -0.60	1.0	1.0
SR 160TG3A-2RS	160	230	105	80	0 ± -0.025	0 ± -0.030	0 ± -0.25	0 ± -0.60	1.0	1.0
SR 180TG3A-2RS	180	260	105	80	0 ± -0.025	0 ± -0.035	0 ± -0.25	0 ± -0.70	1.1	1.1
SR 200TG3A-2RS	200	290	130	100	0 ± -0.030	0 ± -0.035	0 ± -0.30	0 ± -0.70	1.1	1.1
SR 220TG3A-2RS	220	320	135	100	0 ± -0.030	0 ± -0.040	0 ± -0.30	0 ± -0.80	1.1	1.1
SR 240TG3A-2RS	240	340	140	100	0 ± -0.030	0 ± -0.040	0 ± -0.30	0 ± -0.80	1.1	1.1
SR 260TG3A-2RS	260	370	150	110	0 ± -0.035	0 ± -0.040	0 ± -0.35	0 ± -0.80	1.1	1.1
SR 280TG3A-2RS	280	400	155	120	0 ± -0.035	0 ± -0.040	0 ± -0.35	0 ± -0.80	1.1	1.1
SR 300TG3A-2RS	300	430	165	120	0 ± -0.035	0 ± -0.045	0 ± -0.35	0 ± -0.90	1.1	1.1

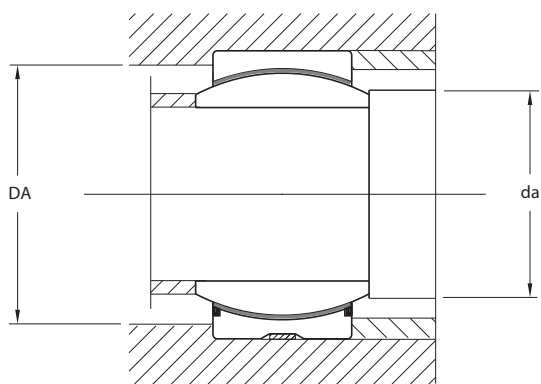
DISPONIBILITA'E PREZZO A RICHIESTA.

GLI SNODI TIPO TGR... PRESENTANO L'ANELLO ESTERNO SENZA SPACCATURA

NOTA: PER EVITARE IL DANNEGGIAMENTO O LA PERDITA DELLE PROTEZIONI (-2RS) E' NECESSARIO IMPEDIRE ALL'ANELLO INTERNO DI RUOTARE AL DI FUORI DELL'ANELLO ESTERNO. TALE AVVERTENZA SI RIFERISCE IN PARTICOLARE MODO AGLI SNODI CON ANELLO ESTERNO DIVISO IN DUE META', TENUTE INSIEME MEDIANTE UN NASTRO DI ACCIAIO.

AVAILABILITY AND PRICE UPON REQUEST.

NOTES: TO AVOID THE DAMAGE OR THE LOSS OF THE PROTECTION RINGS(-2RS) DO NOT ALLOW INNER BALL TO ROTATE OUT OF THE EXTERNAL HOUSING. IN THE SPHERICAL PLAIN BEARING TGR... TYPE, THE OUTER RING IS WITHOUT CRACK



d	D1	ANGOLO DI OSCILLAZIONE α SWINGING ANGLE α	FATTORI DI CARICO LIMITE LOAD FACTORS		GIUOCO RADIALE RADIAL CLEARANCE	DIMENSIONI DI MONTAGGIO MOUNTING DIMENSIONS		PESO IN Kg. WEIGHT Kg.
			Dinamico Dynamic C	Statico Static Co		da max.	DA min.	
mm.	mm.	α°	KN		mm.		Kg.	
12	18	10	11	28	0 - 0.032	14.9	17.5	0.017
15	22	8	25	59	0 - 0.040	18.4	21	0.03
17	25	10	32	75	0 - 0.040	20.7	24	0.04
20	29	9	45	104	0 - 0.040	24.1	27.5	0.06
25	35.5	7	85	204	0 - 0.050	29.3	33	0.12
30	40.7	6	110	263	0 - 0.050	34.2	38	0.16
35	47	6	140	338	0 - 0.050	39.7	44.5	0.23
40	53	7	175	419	0 - 0.060	45	51	0.32
45	60	7	225	540	0 - 0.060	50.7	57	0.46
50	66	6	275	665	0 - 0.060	55.9	63	0.56
55	74	7	355	852	0 - 0.060	64.3	72	0.86
60	80	6	430	1030	0 - 0.060	66.8	75	1.10
70	92	6	550	1320	0 - 0.072	77.8	87	1.55
80	105	6	705	1700	0 - 0.072	89.4	99	2.30
90	115	5	860	2070	0 - 0.072	98.1	108	2.75
100	130	7	1070	2570	0 - 0.085	109.5	123	4.40
110	140	6	1150	2770	0 - 0.085	121.2	134	4.80
120	160	6	1680	4030	0 - 0.085	135.5	150	8.25
140	180	7	1890	4530	0 - 0.085	155.8	173	11.00
160	200	8	2400	5760	0 - 0.100	170.2	191	14.00
180	225	6	2700	6480	0 - 0.100	198.9	219	18.50
200	250	7	3750	9000	0 - 0.100	213.5	239	28.00
220	275	8	4120	9900	0 - 0.100	239.5	267	35.50
240	300	8	4500	10800	0 - 0.100	265.3	295	40.00
260	325	7	5360	12870	0 - 0.110	288.3	319	51.50
280	350	6	6300	15120	0 - 0.110	313.8	342	65.00
300	375	7	6750	16200	0 - 0.110	336.7	370	78.50