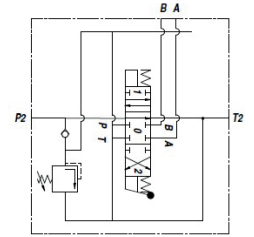
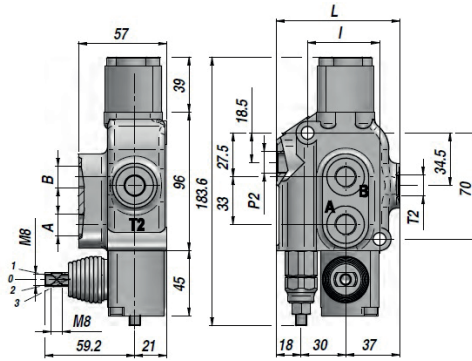
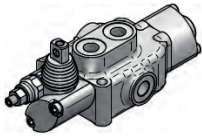


BM 30

Qn
35 l/min

Q max
45 l/min

DISTRIBUTEUR MONOBLOC
MONOBLOCK VALVE



Code Code	Type Type	N° Leviers Sections No.	Orifices - Threads					PN bar	P MAX U bar	P MAX S bar	L	I	kg
			A-B BSP	P BSP	T BSP	P2 BSP	T2 BSP						
DBM1111001	BM 30/1/GU/MO A1	1	3/8"			3/8"	3/8"	250		80	85	46	2.2

PN = Pression nominale - Nominal pressure

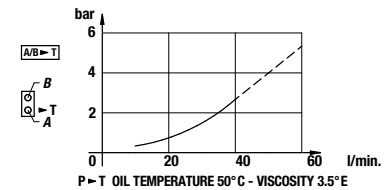
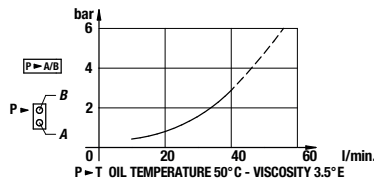
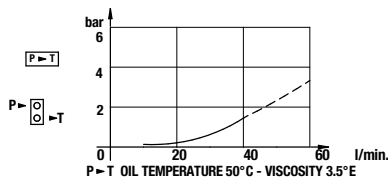
P MAX U = Pression maxi sur les orifices - Max. pressure on ports

P MAX S = Pression maxi sur le retour - Max. pressure in tank-line

Limiteur de pression - Relief Valve : X=30:90 bar (70) - U= 80:230 bar (140) (Standard) - K= 150:300 bar (200)

LES CODES CORRESPONDENT A : DOUBLE EFFET - 3 POSITIONS - RAPPEL RESSORT - A/B FERMEE - ORIFICES BSP

THESE CODES REFER TO: DOUBLE ACTING TYPE - 3 POSITIONS - SPRING RETURN - A/B PORTS CLOSED - BSP THREADS



TIROIR SPOOL TYPE	
A	
B	
C	
D	
L	
Z	

POSITIONNEUR SPOOL CONTROL	
1	
2	
3	
6	
7	
8	
12	
42	

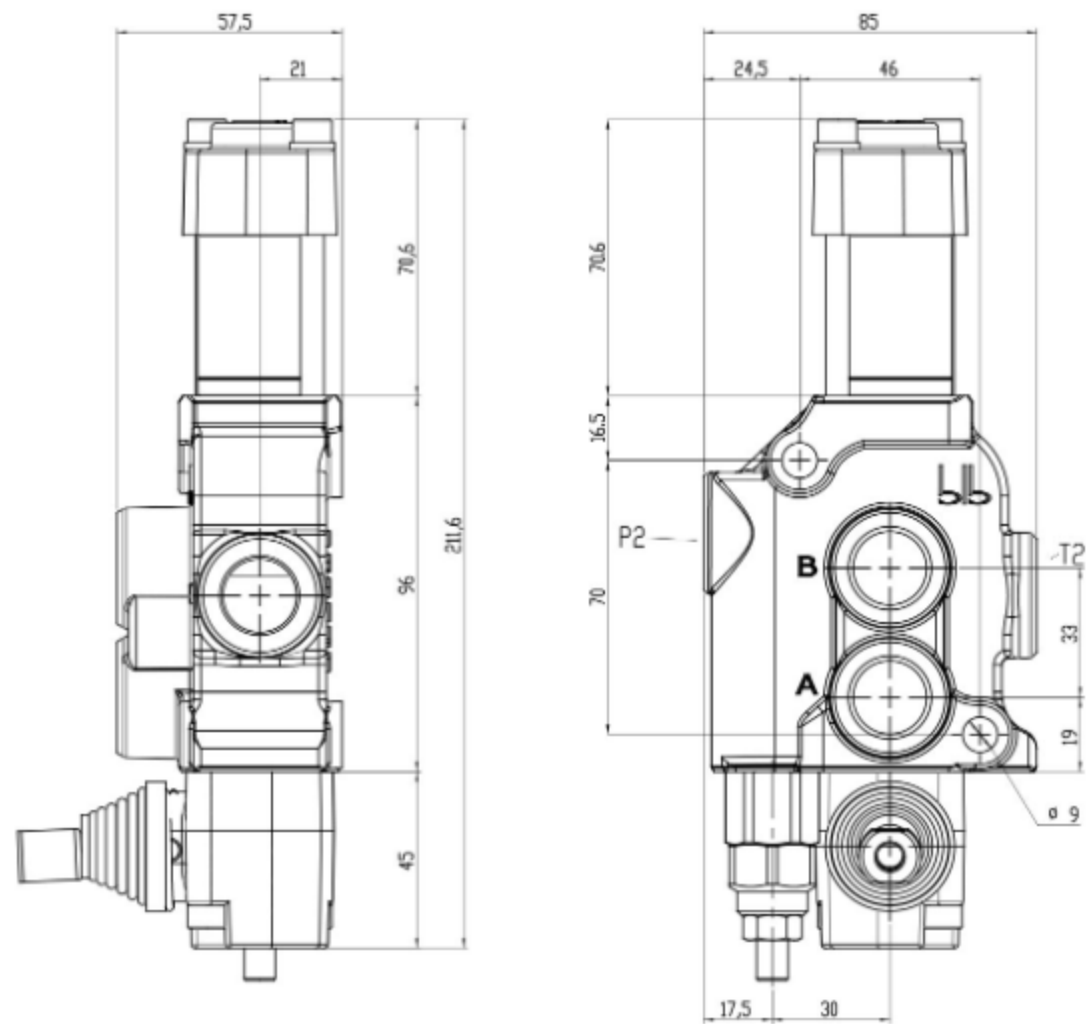
SUR DEMANDE ON REQUEST	
MC	Commande manuelle + téton Manual control with cam
MX	Lever de sécurité Safety lever
DO	Come de commande Cam operator
1P	Commande pneumatique Pneumatic operator
MSW	Microrupteur Microswitch

BM30

Monosezione

Portata 35 l/min

Utilizzi 3/8" BSP / SAE 8



SPECIFICHE TECNICHE / TECHNICAL SPECIFICATIONS

PORTATA NOMINALE / NOMINAL FLOW	35 L/min	9 GPM
PORTATA MAX / MAX FLOW	45 L/min	12 GPM
PRESSIONE NOMINALE / NOMINAL PRESSURE	250 bar	3600 PSI
PRESSIONE MAX SUGLI UTILIZZI / MAX PRESSURE ON PORTS	320 bar	4700 PSI
CONTROPRESSIONE MAX ALLO SCARICO / MAX PRESSURE ON TANK LINE	80 bar	1100 PSI

FILETTATURE STANDARD / STANDARD THREADS

	A - B		P2	T2
G (BSP)	3/8"		3/8"	3/8"
F (UNF - SAE 6 8)	3/4"-16		3/4"-16	3/4"-16

TRAFILAMENTI INTERNI / INTERNAL OIL LEAKAGE

A - B → T	4 ÷ 8 cc/min
-----------	--------------

CONDIZIONI DI TEST / TESTING CONDITIONS

PRESSIONE / PRESSURE	100 bar
TEMPERATURA DELL'OLIO / OIL TEMPERATURE	40 °C
VISCOSITÀ DELL'OLIO / OIL VISCOSITY	32 mm ² /s

DIMENSIONI / DIMENSIONS

N. DI SEZIONI N. OF SECTIONS	L		l	
	mm	inch	mm	inch
BM30	85	3,35	46	1,81

PERDITE DI CARICO / PRESSURE DROP

