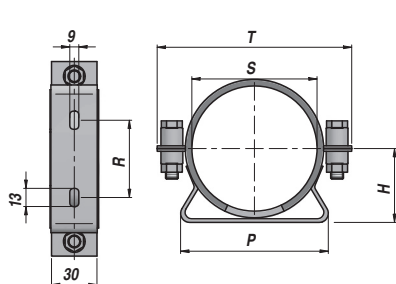
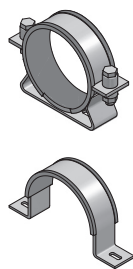
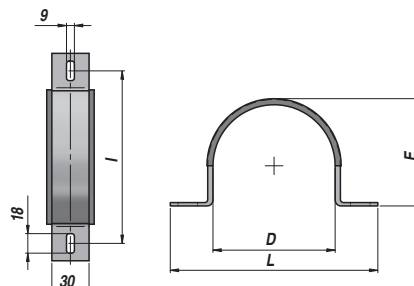


ACR-ACRE

**COLLIERS POUR FIXAGE ACCUMULATEURS
MOUNTING CLAMPS FOR ACCUMULATORS**



ACR



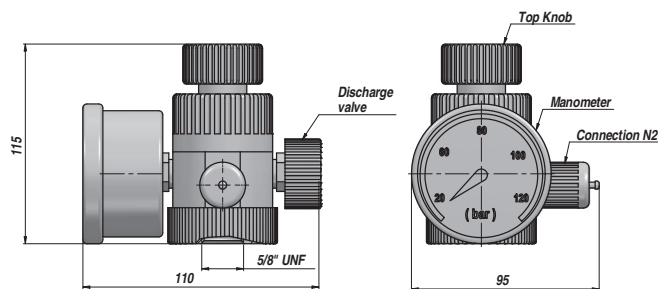
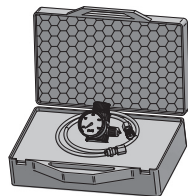
ACRE

| Code Code | Type Type | S | R | T | H | P | L | I | D | E | kg |
|--------------|--------------|-----------|-----|-----|-----|-----|-----|-----|-----|-----|------|
| ACR1140000 | CR 114 | 114 ÷ 116 | 100 | 180 | 66 | 137 | - | - | - | - | 0,84 |
| ACR1680000 | CR 168 | 168 ÷ 172 | 148 | 230 | 93 | 180 | - | - | - | - | 1,00 |
| ACR2230000 | CR 223 | 216 ÷ 225 | 216 | 290 | 110 | 253 | - | - | - | - | 1,22 |
| ACRE070000 | CRE 70 | - | - | - | - | - | 125 | 99 | 70 | 68 | 0,12 |
| ACRE092000 | CRE 92 | - | - | - | - | - | 150 | 125 | 92 | 90 | 0,15 |
| ACRE115000 | CRE 115 | - | - | - | - | - | 185 | 160 | 115 | 113 | 0,20 |
| ACRE125000 | CRE 125 | - | - | - | - | - | 190 | 165 | 125 | 123 | 0,25 |
| ACRE138000 | CRE 138 | - | - | - | - | - | 215 | 190 | 138 | 136 | 0,30 |

MATERIEL : ACIER
MATERIAL : STEEL

ACAR

**OUTILLAGE DE GONFLAGE ACCUMULATEURS
CASE FOR FILLING AND CONTROL DEVICE FOR ACCUMULATORS**



| Code Code | Type Type | Echelle du manomètre Pressure gauge range | Manomètre Pressure gauge | Tuyaux Flexible Flexible hose | kg |
|--------------|--------------|--|-----------------------------|----------------------------------|------|
| ACAR100000 | AR1- 40 | 0 > 40 bar | Ø63 | 5/64" DN2 L=2500 mm | 1,00 |
| ACAR200000 | AR2- 60 | 0 > 60 bar | | | 1,00 |
| ACAR300000 | AR3-100 | 0 > 100 bar | | | 1,00 |
| ACAR400000 | AR4-160 | 0 > 160 bar | | | 1,00 |
| ACAR500000 | AR5-250 | 0 > 250 bar | | | 1,00 |
| ACAR600000 | AR6-400 | 0 > 400 bar | | | 1,00 |

MATERIEL CORPS : ACIER
BODY MATERIAL : STEEL

COLLARI E MENSOLE CLAMPS AND BRACKETS

CR – CRE CRO – MCR

Costruiti in acciaio zincato (standard) o acciaio inox (su richiesta), per l'installazione ed il fissaggio degli accumulatori, sono completi degli anelli di supporto in gomma.

Disponibili a richiesta:

- Dimensioni speciali
- Acciaio inossidabile (CREX, CROX, CRX, MCRX)

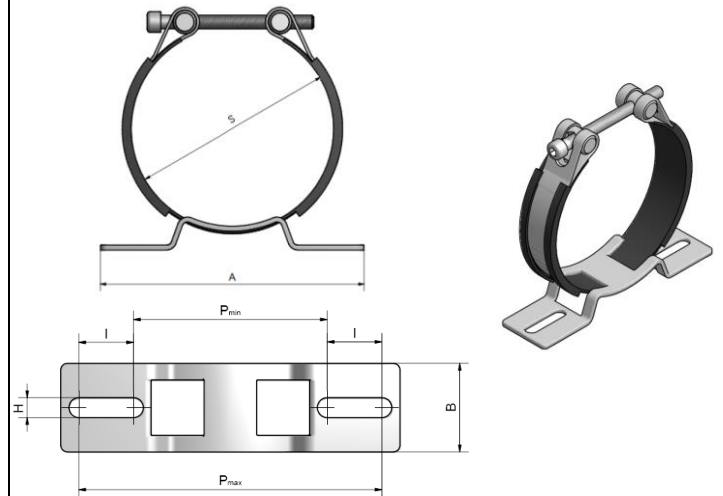
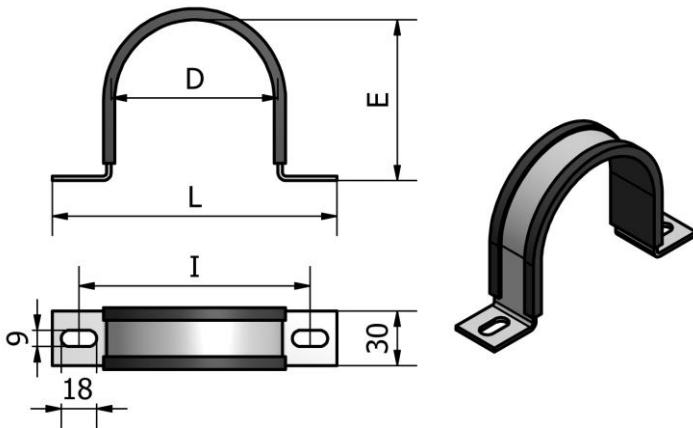
Designed and fabricated in zinc plated steel (standard) or stainless steel (on request), for specific installation and fixing of accumulators rubber supports rings included

Available upon request:

- Special dimension
- Stainless steel (CREX, CROX, CRX, MCRX)

| COLLARE / CLAMPS | | CRE-CREX | | | |
|--|------|----------|-----|-----|-----|
| Spessore metallo 3mm / Metal thickness 3mm | | | | | |
| Modello Model | | L | I | D | E |
| CRE | CREX | [mm] | | | |
| 70 | 70 | 125 | 99 | 70 | 68 |
| 92 | 92 | 150 | 125 | 92 | 90 |
| 100 | 100 | 165 | 140 | 100 | 98 |
| 115 | 115 | 185 | 160 | 115 | 113 |
| 125 | 125 | 190 | 165 | 125 | 123 |
| 138 | 138 | 215 | 190 | 138 | 136 |

| COLLARE / CLAMPS | | CRO-CROX | | | | | |
|--|------|----------|-----|----|----|----|----------------|
| Spessore metallo 3mm / Metal thickness 3mm | | | | | | | |
| Modello Model | | S | A | B | H | I | P min P max |
| CRO | CROX | [mm] | | | | | |
| 70 | 70 | 68÷73 | 156 | 50 | 9 | 17 | 100 136 |
| 92 | 92 | 92÷101 | 156 | 50 | 9 | 17 | 100 136 |
| 114 | 114 | 109÷117 | 156 | 50 | 9 | 17 | 100 136 |
| 125 | 125 | 117÷126 | 156 | 50 | 9 | 17 | 100 136 |
| 168 | 168 | 158÷169 | 156 | 50 | 9 | 17 | 100 136 |
| - | 180 | 180÷194 | 236 | 60 | 9 | 32 | 152 216 |
| - | 219 | 209÷222 | 236 | 60 | 9 | 32 | 152 216 |
| - | 240 | 235÷246 | 300 | 60 | 11 | 28 | 222 278 |
| - | 250 | 248÷259 | 300 | 60 | 11 | 28 | 222 278 |



| COLLARE / CLAMPS | | CR-CRX | | | | |
|--|-----|---------|-----|-----|-----|-----|
| Spessore metallo 3mm / Metal thickness 3mm | | | | | | |
| Modello Model | | S | R | T | H | P |
| CR | CRX | [mm] | | | | |
| 114 | 114 | 114÷116 | 100 | 180 | 66 | 137 |
| 168 | 168 | 168÷172 | 148 | 230 | 93 | 180 |
| 223 | 223 | 216÷225 | 210 | 295 | 110 | 241 |

| MENSOLA / BRACKET | | MCR-MCRX | | | | |
|--|------|----------|-----|-----|----|----|
| Spessore metallo 3mm / Metal thickness 3mm | | | | | | |
| Modello Model | | A | B | C | D | E |
| MCR | MCRX | [mm] | | | | |
| 168 | 168 | 200 | 175 | 90 | 40 | 30 |
| 223 | 223 | 260 | 230 | 120 | 70 | 30 |

| F | G | H | I | L |
|----|-----|-----|-----|-----|
| 11 | 140 | 93 | 140 | 120 |
| 16 | 200 | 120 | 200 | 170 |

