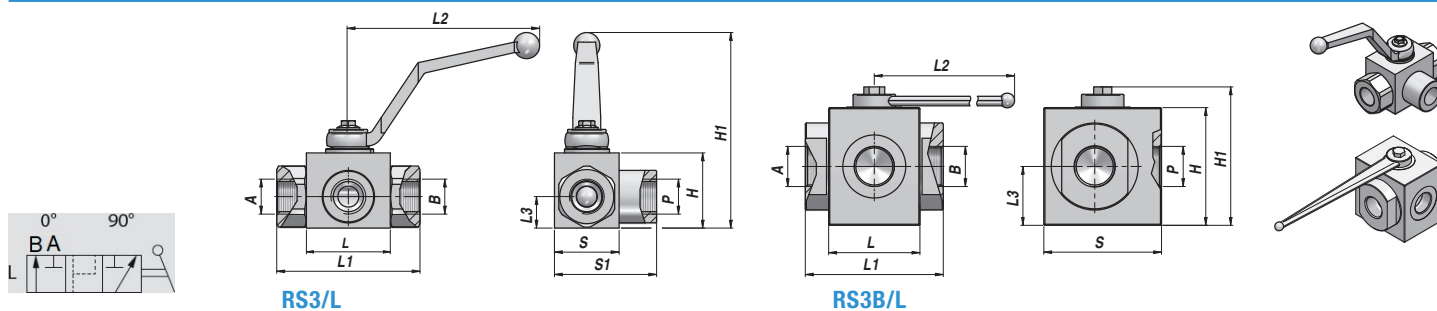


ROBINET A BOISSEAU 3 VOIES - CENTRE FERME
3-WAY BALL VALVE - CLOSED CENTRE

RS 3/L



Code Code	A - P - B BSP	Schéma Scheme	Q MAX l/min	P MAX bar	Type Type	L	L1	L2	L3	H	H1	S	S1	kg
DRSF304000	1/4"	L	25	400	RS 3/L DN 6	42.4	71	110	14.5	35	91.5	30	48.5	0,54
DRSF306000	3/8"	L	35	400	RS 3/L DN10	44.4	73	110	17.4	40	96.5	35	54.5	0,70
DRSF308000	1/2"	L	60	350	RS 3/L DN13	48.4	83	110	18.0	43	99.5	37	58.5	0,83
DRSF312000	3/4"	L	100	350	RS 3/L DN20	62.5	95	180	23.4	57	106.5	49	75.0	1,58
DRSF316000	1"	L	160	350	RS 3/L DN25	66.5	112	180	29.5	65	116.5	55	89.0	2,42
DRSF320000	1"1/4-R	L	160	350	RS 3/L DN25	66.5	120	180	29.5	65	116.5	55	89.0	2,60
DRSF324000	1"1/2"	L	-	350	RS 3B/L DN40	85.0	131	300	53.5	107	134.5	115	-	8,63
DRSF332000	2"	L	-	350	RS 3B/L DN50	98.0	140	300	57.0	114	141.5	128	-	10,61

AVEC TROUS DE FIXATION - WITH FIXING HOLES

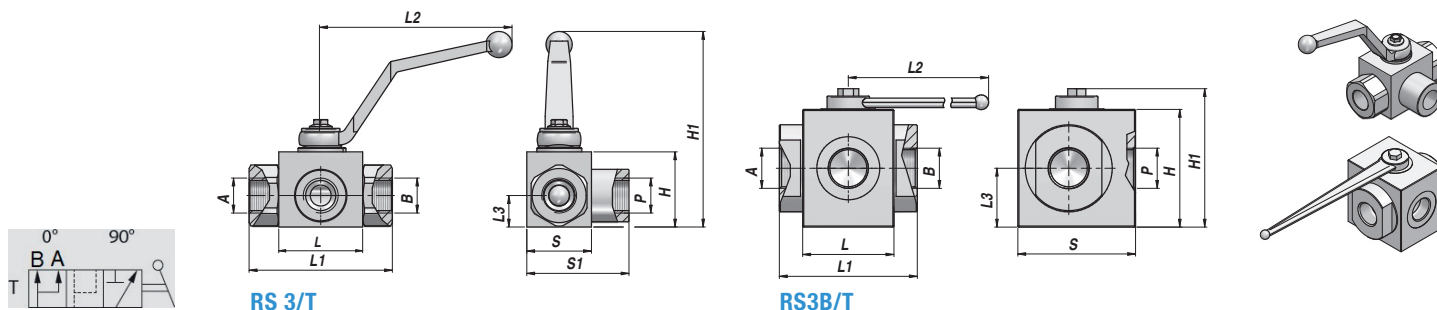
MATERIEL CORPS : ACIER
BODY MATERIAL : STEEL

MONTAGE EN LIGNE
LINE MOUNTING

SUR DEMANDE : INOX AISI 316
ON REQUEST : STAINLESS STEEL AISI 316

ROBINET A BOISSEAU 3 VOIES - CENTRE OUVERT
3-WAY BALL VALVE - OPEN CENTRE

RS 3/T



Code Code	A - P - B BSP	Schéma Scheme	Q MAX l/min	P MAX bar	Type Type	L	L1	L2	L3	H	H1	S	S1	kg
DRSTF30400	1/4"	T	25	400	RS 3/T DN 6	42.4	71	110	14.5	35	91.5	30	48.5	0.54
DRSTF30600	3/8"	T	35	400	RS 3/T DN10	44.4	73	110	17.4	40	96.5	35	54.5	0.70
DRSTF30800	1/2"	T	60	350	RS 3/T DN13	48.4	83	110	18.0	43	99.5	37	58.5	0.83
DRSTF31200	3/4"	T	100	350	RS 3/T DN20	62.5	95	180	23.4	57	106.5	49	75.0	1.58
DRSTF31600	1"	T	160	350	RS 3/T DN25	66.5	112	180	29.5	65	116.5	55	89.0	2.42
DRSTF32000	1"1/4-R	T	160	350	RS 3/T DN25	66.5	120	180	29.5	65	116.5	55	89.0	2.60
DRSTF32400	1"1/2"	T	-	350	RS 3B/T DN40	85.0	131	300	53.5	107	134.5	115	-	8.63
DRSTF33200	2"	T	-	350	RS 3B/T DN50	98.0	140	300	57.0	114	141.5	128	-	10.61

AVEC TROUS DE FIXATION - WITH FIXING HOLES

MATERIEL CORPS : ACIER
BODY MATERIAL : STEEL

MONTAGE EN LIGNE
LINE MOUNTING

SUR DEMANDE : INOX AISI 316
ON REQUEST : STAINLESS STEEL AISI 316



GE3

3-WAY HIGH PRESSURE BALL VALVES

Edition. 21.1

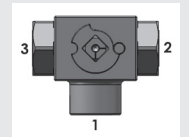
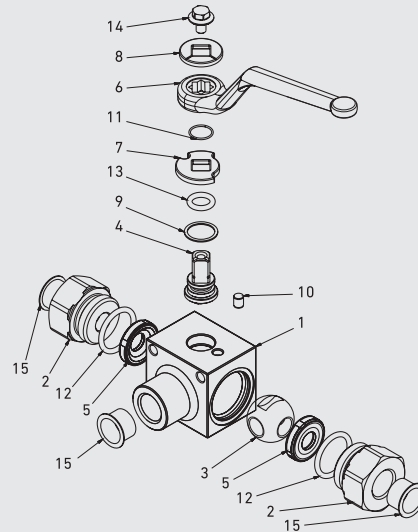
CS Carbon Steel

- Type: ball valve 3 way
- Sizes: from DN6 up to DN25
- Ends: BSP-NPT-SAE-DIN
- Pressure: up to PN500
- Temp range: from -20°C to +100°C

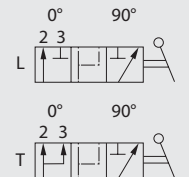
SS Stainless Steel

- Type: ball valve 3 way
- Sizes: from DN6 up to DN25
- Ends: BSP-NPT-SAE-DIN
- Pressure: up to PN500
- Temp range: from -30°C to +100°C

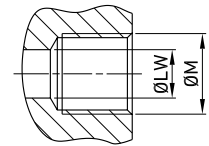
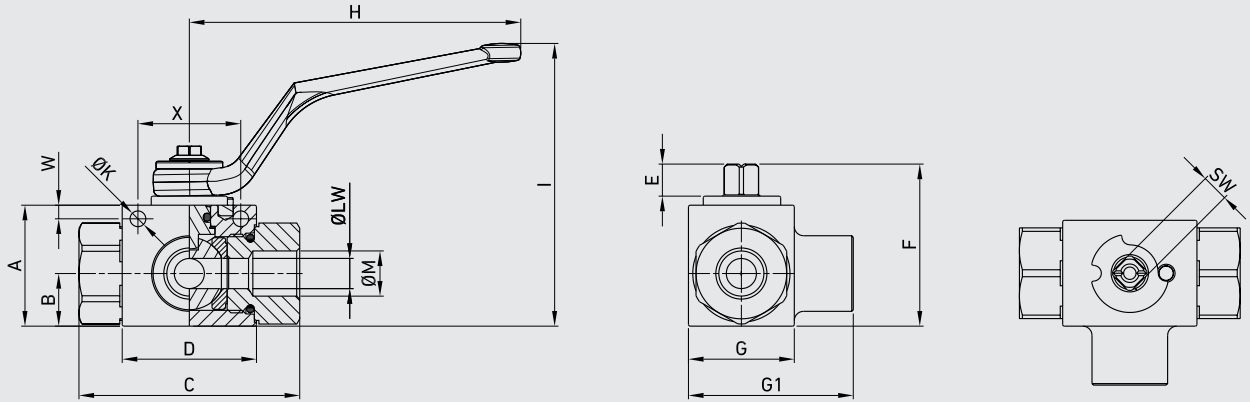
STANDARD COMPOSITION OF VALVE



WARNING!
Pressure inlet only from center port 1



POS	DESCRIPTION	Q.TY	CS	SS
			Carbon Steel	Stainless Steel
			MATERIAL	
1	Body	1	1,0737	1,4404
2	Adapter	2	1,0737	1,4404
3	Ball	1	1,0737	1,4404
4	Stem	1	1,0737	1,4404
5	Ball seat	2	POM	POM
6	Handle	1	ZINC	ZINC
7	Washer	1	1,0116	1,4301
8	Washer	1	1,0116	1,4301
9	Stem ring	1	POM	POM
10	Pin	1	1,0737	1,4301
11	Seeger	1	1,4301	1,4301
12	Adapter o-ring	2	NBR	NBR
13	Stem o-ring	1	NBR	NBR
14	Screw	1	Din 6921 8.8	Din 6921 A2
15	Caps	3	PVC	PVC



GE3 DIN/ISO 228 BSP

TYPE	DN	PN		A	B	C	D	E	F	G	G1	H	I	ØM	ØK*	W*	X*	SW	ØLW	WEIGHT	ITEM CODE			
																					CS	SS		
GE3 G 1/4	6	MPa	50	mm	35	14,5	71	42,4	11	49	30	48,5	110	87	G 1/4	5,25	4,5	34	9	6	kg	0,536	GE3GGT14011A000	GE3GGT14044A000
		Psi	7250	inch	1,38	0,57	2,80	1,67	0,43	1,93	1,18	1,91	4,33	3,43		0,21	0,18	1,34	0,35	0,24	lb	1,18		
GE3 G 3/8	10	MPa	50	mm	40	17,4	73	44,4	11	54,25	35	54,5	110	93	G 3/8	5,25	4,5	34	9	10	kg	0,695	GE3GGT24011A000	GE3GGT24044A000
		Psi	7250	inch	1,57	0,69	2,87	1,75	0,43	2,14	1,38	2,15	4,33	3,66		0,21	0,18	1,34	0,35	0,39	lb	1,53		
GE3 G 1/2	13	MPa	50	mm	43	19,7	83	48,4	11	57	37	58,5	110	97	G 1/2	5,25	5	36	9	13	kg	0,825	GE3GGT33011A000	GE3GGT33044A000
		Psi	7250	inch	1,69	0,78	3,27	1,91	0,43	2,24	1,46	2,30	4,33	3,82		0,21	0,20	1,42	0,35	0,51	lb	1,82		
GE3 G 3/4	20	MPa	42	mm	57	25,4	95	62,5	14	75,5	49	75	180	105	G 3/4	6,25	6	50	14	20	kg	1,583	GE3GGT44011A000	GE3GGT43044A000
		Psi	6090	inch	2,24	1,00	3,74	2,46	0,55	2,97	1,93	2,95	7,09	4,13		0,25	0,24	1,97	0,55	0,79	lb	3,49		
GE3 G 1	25	MPa	42	mm	65	29,5	112	66,5	14	83,5	55	89	180	113	G 1	6,25	6	50	14	25	kg	2,421	GE3GGT53011A000	GE3GGT53044A000
		Psi	6090	inch	2,56	1,16	4,41	2,62	0,55	3,29	2,17	3,50	7,09	4,45		0,25	0,24	1,97	0,55	0,98	lb	5,34		
GE3 G 1 1/4 R	25	MPa	35	mm	65	29,5	120	66,5	14	83,5	55	89	180	113	G 1 1/4	6,25	6	50	14	25	kg	2,601	GE3GGR63011A000	GE3GGR63044A000
		Psi	5075	inch	2,56	1,16	4,72	2,62	0,55	3,29	2,17	3,50	7,09	4,45		0,25	0,24	1,97	0,55	0,98	lb	5,73		
GE3 G 1 1/2 R	25	MPa	35	mm	65	29,5	124	66,5	14	83,5	55	89	180	113	G 1 1/2	6,25	6	50	14	25	kg	2,756	GE3GGR73011A000	GE3GGR73044A000
		Psi	5075	inch	2,56	1,16	4,88	2,62	0,55	3,29	2,17	3,50	7,09	4,45		0,25	0,24	1,97	0,55	0,98	lb	6,08		

Size only for carbon steel valves with fixing holes included.

FIXING HOLES INCLUDED