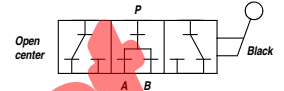
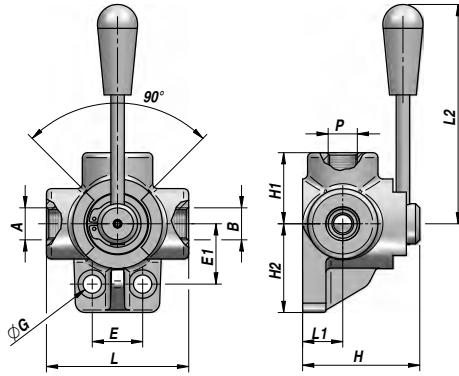
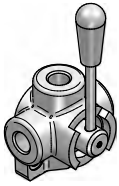


**DDF3-A**

**ROBINET A BOISSEAU A 3 VOIES - CENTRE OUVERT**  
**3-WAY FLOW DEFLECT VALVE - OPEN CENTRE**



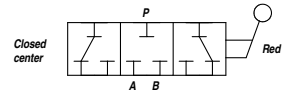
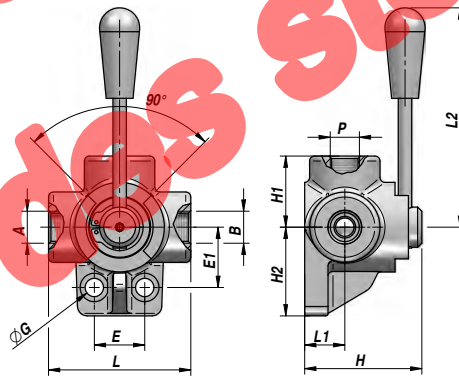
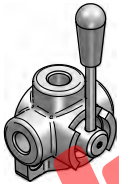
Code Code	A - P - B BSP	Q MAX l/min	P MAX bar	Type Type	L	L1	L2	ØG	E	E1	H	H1	H2	kg
V70367.A00600	3/8"	60	315	DDF3-A 020	73	21.0	135	8.5	24	31	62	36.5	42	0,87
V70367.A00800	1/2"	90	280	DDF3-A 030	85	24.0	130	11.0	30	36	70	42.5	53	1,42
V70367.A01200	3/4"	120	250	DDF3-A 040	91	28.0	130	11.0	32	41	80	45.5	56	1,84
V70367.A01600	1"	180	220	DDF3-A 050	98	31.5	160	11.0	32	50	90	49.0	64	2,51
V70367.A02400	1 1/2"	280	200	DDF3-A 070	128	44.0	160	10.5	42	64	115	64.0	80	6,10

MATERIEL CORPS : FONTE  
BODY MATERIAL : CAST IRON

MONTAGE EN LIGNE  
LINE MOUNTING

**DDF3-C**


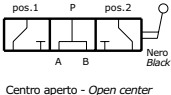
**ROBINET A BOISSEAU A 3 VOIES - CENTRE FERME**  
**3-WAY FLOW DEFLECT VALVE - CLOSED CENTRE**



Code Code	A - P - B BSP	Q MAX l/min	P MAX bar	Type Type	L	L1	L2	ØG	E	E1	H	H1	H2	kg
V70367.C00600	3/8"	60	315	DDF3-C 020	73	21.0	135	8.5	24	31	62	36.5	42	0,87
V70367.C00800	1/2"	90	280	DDF3-C 030	85	24.0	130	11.0	30	36	70	42.5	53	1,42
V70367.C01200	3/4"	120	250	DDF3-C 040	91	28.0	130	11.0	32	41	80	45.5	56	1,84
V70367.C01600	1"	180	220	DDF3-C 050	98	31.5	160	11.0	32	50	90	49.0	64	2,51

MATERIEL CORPS : FONTE  
BODY MATERIAL : CAST IRON

MONTAGE EN LIGNE  
LINE MOUNTING

<b>B10/0</b>		 <p>Centro aperto - Open center</p>	<b>DDF3V</b>  <b>DISTRIBUTORE DI FLUSSO A 3 VIE</b> <b>3 WAY FLOW DIVERTER</b>
--------------	---	--	---

**APPLICAZIONE**

Sono utilizzati per collegare o escludere il flusso verso due utilizzi usando una sola alimentazione. Questa particolare configurazione si presta anche per l'azionamento di un attuatore semplice effetto.

**MONTAGGIO**

Collegare l'alimentazione alla bocca P e gli utilizzi alle bocche A e B.

**FUNZIONAMENTO**

Ruotando la leva in pos.1 si alimenta la bocca A.

Ruotando la leva in pos.2 si alimenta la bocca B.

Tipo C (centro chiuso): con la leva in posizione centrale le bocche P, A e B sono tutte chiuse (ammesso trafilemento contenuto).

Tipo A (centro aperto): con la leva in posizione centrale le bocche P, A e B sono tutte collegate.

**A RICHIESTA**

Corpo cromato - Corpo zincato - Perno nichelato - Kit per 6 vie - Fusione con trattamento di cataforesi.

**NOTE COSTRUTTIVE**

Corpo in ghisa - Componenti in acciaio trattati termicamente - Trafilemento contenuto - Predisposti per 6 vie.

**APPLICATION**

Flow diverters connect or cut off inlet flow towards two ports. This special hydraulic scheme is able to control a single action actuator.

**INSTALLATION**

P port is connected to inlet flow and A and B to actuator ports.

**OPERATION**

Hand lever in pos.1 allows flow towards A port.

Hand lever in pos.2 allows flow towards B port.

C Type (closed center): when hand lever is in the mid position all ports are closed (though low leakage may occur).

A Type (open center): when hand lever is in the mid position all ports are connected.

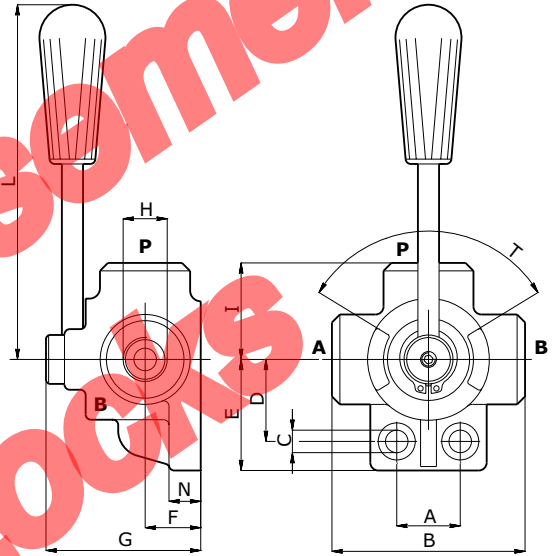
**OPTIONAL**

Chromium plated body - Zinc plated body - Nickel plated spool - 6 Way assembling kit - Cataphoresis-treated casting.

**FEATURES**

Cast iron body - Hardened spool - Low leakage - 6 Ways arranged

CARATTERISTICHE - HYDRAULIC FEATURES					
Dimensioni Dimensions	02	03	04	05	07
Pressione max Max pressure (bar)	315	280	250	220	200
Portata max Max Flow (l/min)	60	90	120	180	280



**DIMENSIONI E PESI - EXTERNAL DIMENSIONS AND WEIGHTS**

Dimensioni Dimensions	A	B	C	D	E	F	G	H gas	H npt	H sae	I	L	N	T	Peso Weight (kg)
02	24	73	8.5	31	42	21	62	3/8	3/8	3/4-16	36.5	135	13	90	0.87
03	30	85	11	36	53	24	70	1/2	1/2	7/8-14	42.5	130	13	90	1.42
04	32	91	11	41	56	28	80	3/4	3/4	1 1/16-12	42.5	130	13	90	1.84
05	32	98	11	50	64	31.5	90	1	1	1 5/16-12	49	160	13	90	2.51
07	42	128	10.5	64	80	44	115	1 1/2	1 1/2	1 7/8-12	64	160	16	90	6.10

**CODICE ORDINAZIONE - ORDERING CODE**

<b>DDF3V</b>																																																							
<table border="1"> <thead> <tr> <th colspan="4">Dimensione - Dimension</th> </tr> <tr> <th>Tipo-Type</th> <th>GAS</th> <th>NPT</th> <th>SAE</th> </tr> </thead> <tbody> <tr> <td>02</td> <td>3/8</td> <td>3/8</td> <td>3/4-16</td> </tr> <tr> <td>03</td> <td>1/2</td> <td>1/2</td> <td>7/8-14</td> </tr> <tr> <td>04</td> <td>3/4</td> <td>3/4</td> <td>1 1/16-12</td> </tr> <tr> <td>05</td> <td>1</td> <td>1</td> <td>1 5/16-12</td> </tr> <tr> <td>07*</td> <td>1 1/2</td> <td>1 1/2</td> <td>1 7/8-12</td> </tr> </tbody> </table>	Dimensione - Dimension				Tipo-Type	GAS	NPT	SAE	02	3/8	3/8	3/4-16	03	1/2	1/2	7/8-14	04	3/4	3/4	1 1/16-12	05	1	1	1 5/16-12	07*	1 1/2	1 1/2	1 7/8-12	<table border="1"> <thead> <tr> <th colspan="2">Schema idraulico Hydraulic scheme</th> </tr> </thead> <tbody> <tr> <td>A</td> <td>Centro Aperto Open Center</td> </tr> <tr> <td>C</td> <td>Centro Chiuso Closed Center</td> </tr> </tbody> </table>	Schema idraulico Hydraulic scheme		A	Centro Aperto Open Center	C	Centro Chiuso Closed Center	<table border="1"> <thead> <tr> <th colspan="2">Tipo filetto Port type</th> </tr> </thead> <tbody> <tr> <td></td> <td>GAS</td> </tr> <tr> <td>N</td> <td>NPT</td> </tr> <tr> <td>S</td> <td>SAE</td> </tr> </tbody> </table>	Tipo filetto Port type			GAS	N	NPT	S	SAE	<table border="1"> <thead> <tr> <th colspan="2">Trattamenti - Treatments</th> </tr> </thead> <tbody> <tr> <td></td> <td>Fusione grezza Casting</td> </tr> <tr> <td>Z</td> <td>Fusione zincata Zinc-plated casting</td> </tr> <tr> <td>ZN</td> <td>Fusione zincata perno nichelato Zinc-plated casting, nickel-plated spool</td> </tr> <tr> <td>CT</td> <td>Fusione con trattamento di cataforesi Cataphoresis-treated casting</td> </tr> </tbody> </table>	Trattamenti - Treatments			Fusione grezza Casting	Z	Fusione zincata Zinc-plated casting	ZN	Fusione zincata perno nichelato Zinc-plated casting, nickel-plated spool	CT	Fusione con trattamento di cataforesi Cataphoresis-treated casting
Dimensione - Dimension																																																							
Tipo-Type	GAS	NPT	SAE																																																				
02	3/8	3/8	3/4-16																																																				
03	1/2	1/2	7/8-14																																																				
04	3/4	3/4	1 1/16-12																																																				
05	1	1	1 5/16-12																																																				
07*	1 1/2	1 1/2	1 7/8-12																																																				
Schema idraulico Hydraulic scheme																																																							
A	Centro Aperto Open Center																																																						
C	Centro Chiuso Closed Center																																																						
Tipo filetto Port type																																																							
	GAS																																																						
N	NPT																																																						
S	SAE																																																						
Trattamenti - Treatments																																																							
	Fusione grezza Casting																																																						
Z	Fusione zincata Zinc-plated casting																																																						
ZN	Fusione zincata perno nichelato Zinc-plated casting, nickel-plated spool																																																						
CT	Fusione con trattamento di cataforesi Cataphoresis-treated casting																																																						

\* Disponibile solo a Centro Aperto  
\* Only available Open Center

**ESEMPIO ORDINAZIONE - ORDERING CODE EXAMPLE**

<b>DDF3V 02 A S</b>	DDF3V - Dimensione 02 - Centro aperto - Filetto 3/4-16 SAE - Fusione grezza / DDF3V - 02 Dimensions - Open center - 3/4-16 SAE Port thread - Casting
<b>DDF3V 03 C</b>	DDF3V - Dimensione 03 - Centro chiuso - Filetto 1/2 GAS - Fusione grezza / DDF3V - 03 Dimensions - Closed center - 1/2 GAS Port thread - Casting