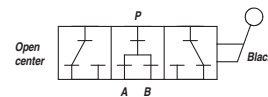
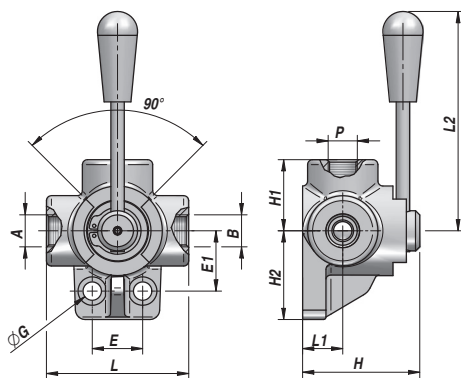
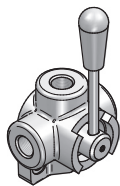


D3-A

ROBINET A BOISSEAU A 3 VOIES - CENTRE OUVERT
3-WAY FLOW DEFLECT VALVE - OPEN CENTRE



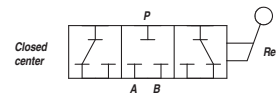
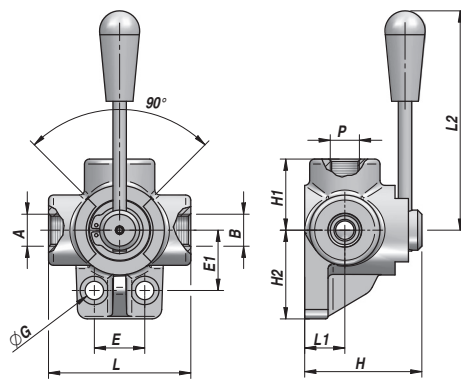
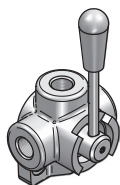
Code Code	A - P - B BSP	Q MAX l/min	P MAX bar	Type Type	L	L1	L2	ØG	E	E1	H	H1	H2	kg
V74367.A00400	1/4"	60	350	D3-A 104	70	21	115	8.5	25	32	57	-	-	0,8
V74367.A00600	3/8"	60	350	D3-A 100	70	21.0	115	8.5	25	32	57	-	-	0,8
V74367.A00800	1/2"	90	350	D3-A 101	80	24	115	8.5	25	36	63	-	-	1,2
V74367.A01200	3/4"	120	350	D3-A 102	90	26	115	8.5	25	42	67	-	-	1,8
V74367.A01600	1"	200	300	D3-A 103	98	31	115	8.5	25	50	77	-	-	2,7

MATERIEL CORPS : FONTE
BODY MATERIAL : CAST IRON

MONTAGE EN LIGNE
LINE MOUNTING

D3-C

ROBINET A BOISSEAU A 3 VOIES - CENTRE FERME
3-WAY FLOW DEFLECT VALVE - CLOSED CENTRE



Code Code	A - P - B BSP	Q MAX l/min	P MAX bar	Type Type	L	L1	L2	ØG	E	E1	H	H1	H2	kg
V74367.C00400	1/4"	60	350	D3-C 111	70	21.0	115	8.5	25	32	57	-	-	0,8
V74367.C00600	3/8"	60	350	D3-C 107	70	21.0	115	8.5	25	32	57	-	-	0,8
V74367.C00800	1/2"	90	350	D3-C 108	80	24.0	115	8.5	32	36	63	-	-	1,2
V74367.C01200	3/4"	120	350	D3-C 109	90	26.0	115	10.5	32	42	67	-	-	1,8
V74367.C01600	1"	200	300	D3-C 110	98	31	115	10.5	32	50	77	-	-	2,7

MATERIEL CORPS : FONTE
BODY MATERIAL : CAST IRON

MONTAGE EN LIGNE
LINE MOUNTING

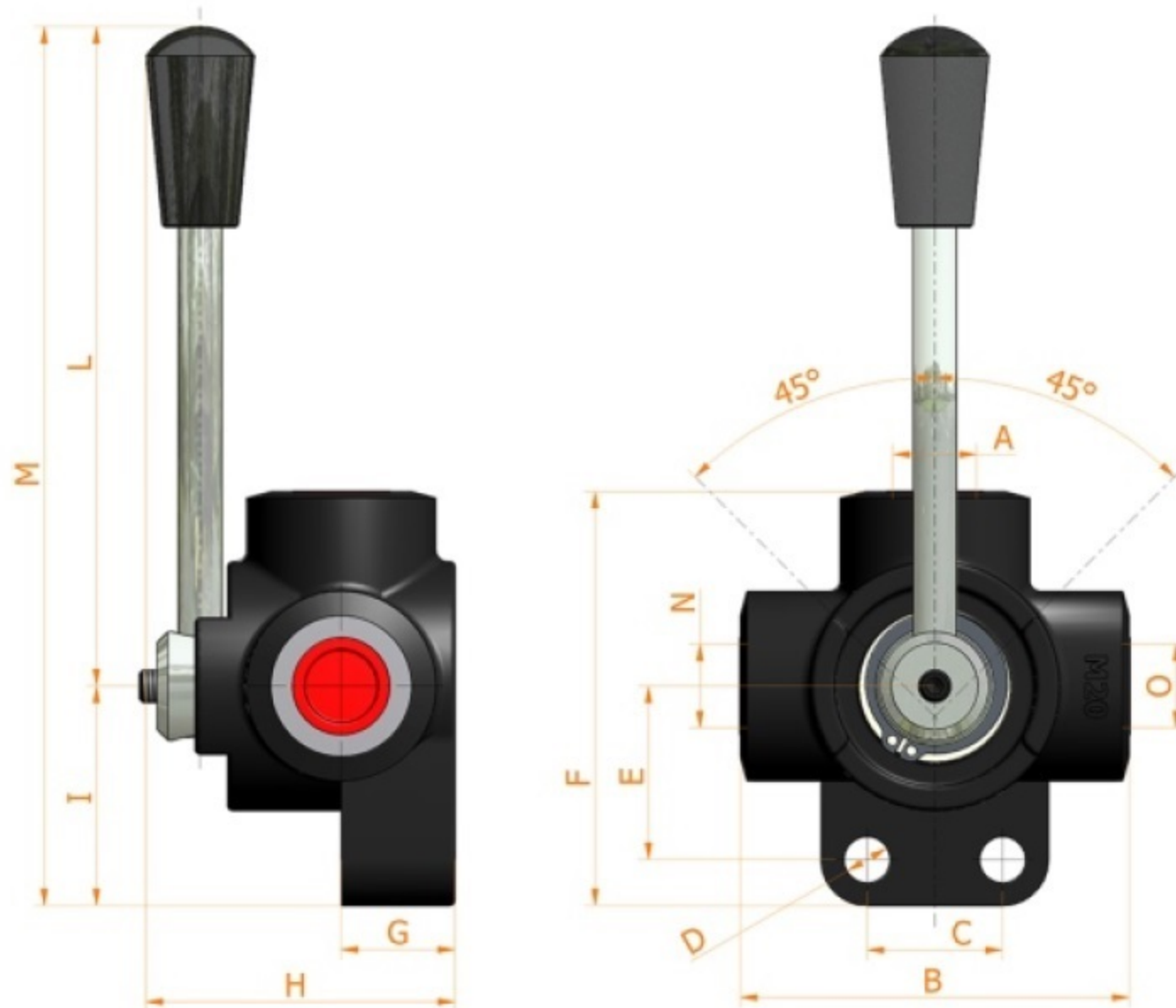
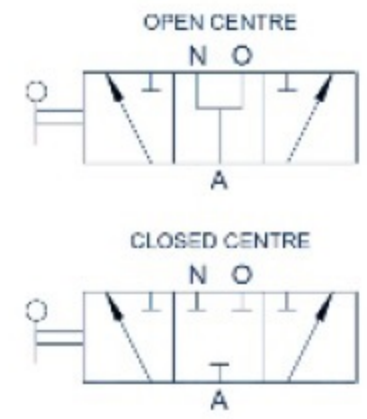
FLOW DIVIDERS

hydraulic diagram



D3

3 ways flow divider



Specifications:

- Iron cast body
- White zinc plated external parts
- Standard colour black

O-N-A GAS	FLOW liters/min	PRESSURE BAR	B mm	C mm	D mm	E mm	F mm	G mm	H mm	L mm	M mm	MASS KG	CODE OF OPEN CENTRE	CODE OF CLOSED CENTRE
1/4"	60	350	70	25	8,5	32	75,5	21	57	115	155,5	0,800	7000.0104	7000.0111
3/8"	60	350	70	25	8,5	32	75,5	21	57	115	155,5	0,800	7000.0100	7000.0107
1/2"	90	350	80	32	8,5	36	86	24	63	115	161	1,200	7000.0101	7000.0108
3/4"	120	350	90	32	10,5	42	98,5	26	67	115	168,5	1,800	7000.0102	7000.0109
1"	200	300	98	32	10,5	50	110	31	77	115	176,5	2,700	7000.0103	7000.0110