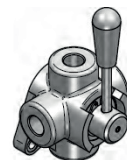
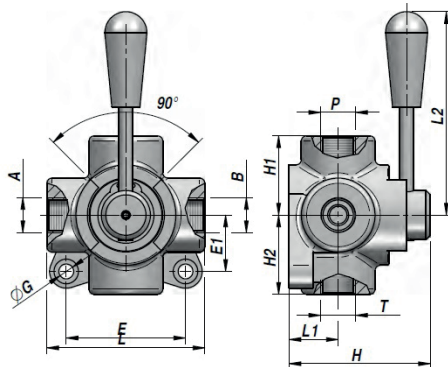
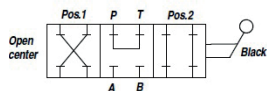


INVERSEURA 4VOIES - CENTRE OUVERT
4-WAY FLOW REVERSE - OPEN CENTRE

D4-A



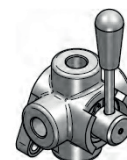
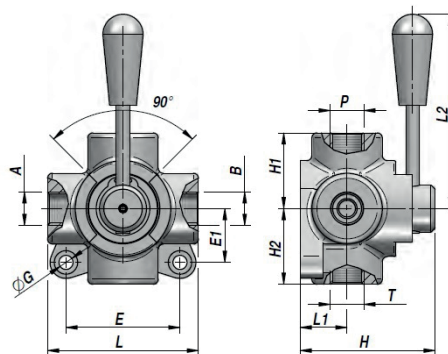
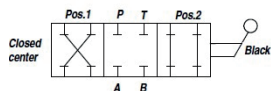
Code Code	P - T BSP	A - B BSP	Q MAX l/min	P MAX bar	Type Type	L	L1	L2	ØG	E	E1	H	H1+H2	kg
V74467.A00400	1/4"	1/4"	60	350	D4-A 104	80	24	115	8.5	54	28	63	80	1,2
V74467.A00600	3/8"	3/8"	60	350	D4-A 100	80	24	115	8.5	54	28	63	80.0	1,2
V74467.A00800	1/2"	1/2"	90	350	D4-A 101	80	24	115	8.5	54	28	63	80.0	1,1
V74467.A01200	3/4"	3/4"	120	350	D4-A 102	94	31	115	10.5	74	38	77	94.0	2,2
V74467.A01600	1"	1"	200	300	D4-A 103	94	31	115	10.5	74	38	77	94.0	2

MATERIEL CORPS : FONTE ZINGUEE
BODY MATERIAL : ZINC PLATED CAST IRON

MONTAGE EN LIGNE
LINE MOUNTING

INVERSEURA 4VOIES - CENTRE FERME
4-WAY FLOW REVERSE - CLOSED CENTRE

D4-C



Code Code	P - T BSP	A - B BSP	Q MAX l/min	P MAX bar	Type Type	L	L1	L2	ØG	E	E1	H	H1 + H2	kg
V74467.C00400	1/4"	1/4"	60	350	D4-C 111	80	24	115	8.5	54	28	63	80.0	1,2
V74467.C00600	3/8"	3/8"	60	350	D4-C 107	80	24	115	8.5	54	28	63	80.0	1,2
V74467.C00800	1/2"	1/2"	90	350	D4-C 108	80	24	115	8.5	54	28	63	80.0	1,1
V74467.C01200	3/4"	3/4"	120	350	D4-C 109	94	31	115	10.5	74	38	77	94.0	2,2
V74467.C01600	1"	1"	200	300	D4-C 110	94	31	115	10.5	74	38	77	94.0	2

MATERIEL CORPS : FONTE ZINGUEE
BODY MATERIAL : ZINC PLATED CAST IRON

MONTAGE EN LIGNE
LINE MOUNTING

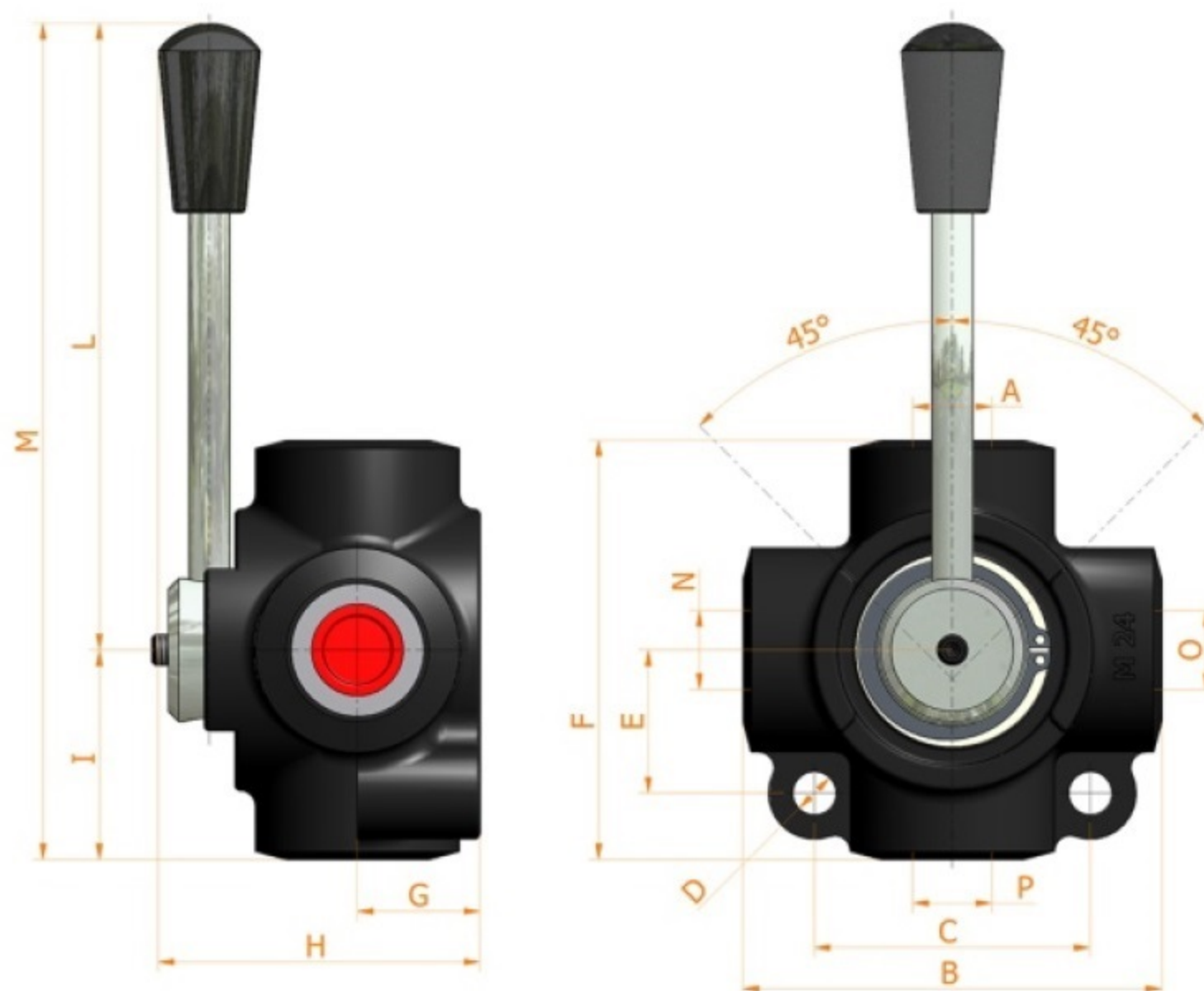
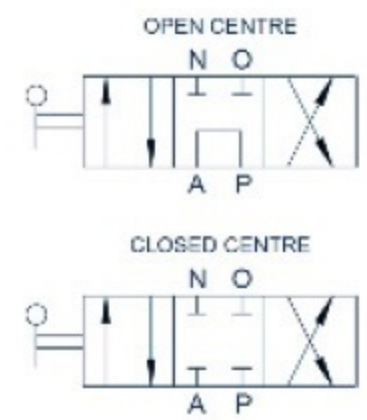
FLOW INVERTERS

hydraulic diagram



D4

4 ways flow inverter



Specifications:

- Iron cast body
- White zinc plated external parts
- Standard colour black

O-N-A GAS	FLOW liters/min	PRESSURE BAR	B mm	C mm	D mm	E mm	F mm	G mm	H mm	L mm	M mm	MASS KG	CODE OF OPEN CENTRE	CODE OF CLOSED CENTRE
1/4"	60	350	80	54	8,5	28	80	24	63	115	155	1,200	7001.0104	7001.0111
3/8"	60	350	80	54	8,5	28	80	24	63	115	155	1,200	7001.0100	7001.0107
1/2"	90	350	80	54	8,5	28	80	24	63	115	155	1,100	7001.0101	7001.0108
3/4"	120	350	94	74	10,5	38	94	31	77	115	162	2,200	7001.0102	7001.0109
1"	200	300	94	74	10,5	38	94	31	77	115	162	2,000	7001.0103	7001.0110