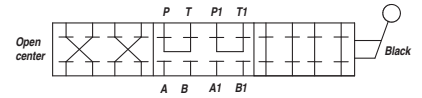
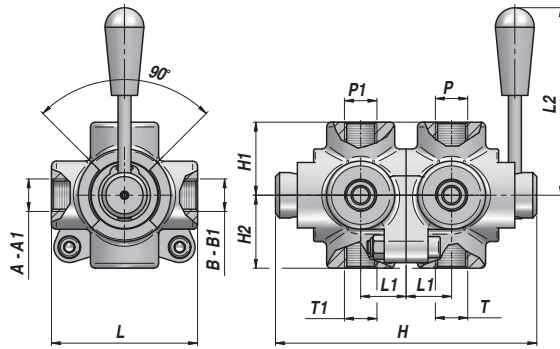
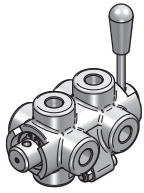


D8-A

INVERSEUR A 8 VOIES - CENTRE OUVERT
8-WAY FLOW REVERSE - OPEN CENTRE



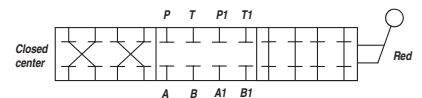
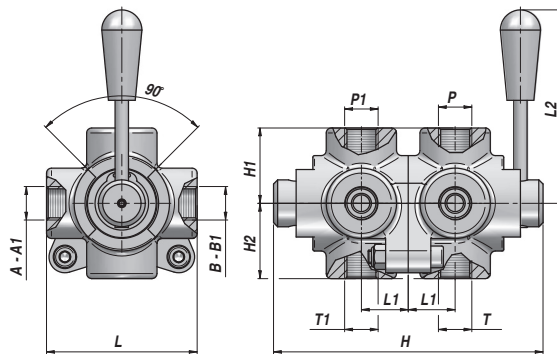
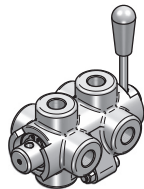
Code Code	P - T A - B BSP	P1 - T1 A1 - B1 BSP	Q MAX l/min	P MAX bar	Type Type	L	L1	L2	H	H1 + H2	kg
V74867.A00400	1/4"	1/4"	60	350	D8-A 104	80	24	115	124	80.0	2.3
V74867.A00600	3/8"	3/8"	60	350	D8-A 100	80	24	115	124	80.0	2.3
V74867.A00800	1/2"	1/2"	90	350	D8-A 101	80	24	115	124	80.0	2.1
V74867.A01200	3/4"	3/4"	120	350	D8-A 102	94	31	115	124	94.0	4.3
V74867.A01600	1"	1"	200	300	D8-A 103	94	31	115	124	94.0	4

MATERIEL CORPS : FONTE
BODY MATERIAL : CAST IRON

MONTAGE EN LIGNE
LINE MOUNTING

D8-C

INVERSEUR A 8 VOIES - CENTRE FERME
8-WAY FLOW REVERSE - CLOSED CENTRE



Code Code	P - T A - B BSP	P1 - T1 A1 - B1 BSP	Q MAX l/min	P MAX bar	Type Type	L	L1	L2	H	H1 + H2	kg
V74867.C00400	1/4"	1/4"	60	350	D8-C 111	80	24	115	124	80	2.3
V74867.C00600	3/8"	3/8"	60	350	D8-C 107	80	24	115	124	80.0	2.3
V74867.C00800	1/2"	1/2"	90	350	D8-C 108	80	24	115	124	80.0	2.1
V74867.C01200	3/4"	3/4"	120	350	D8-C 109	94	31	115	152	94	4.3
V74867.C01600	1"	1"	200	300	D8-C 110	94	31	115	152	94.0	4

MATERIEL CORPS : FONTE
BODY MATERIAL : CAST IRON

MONTAGE EN LIGNE
LINE MOUNTING

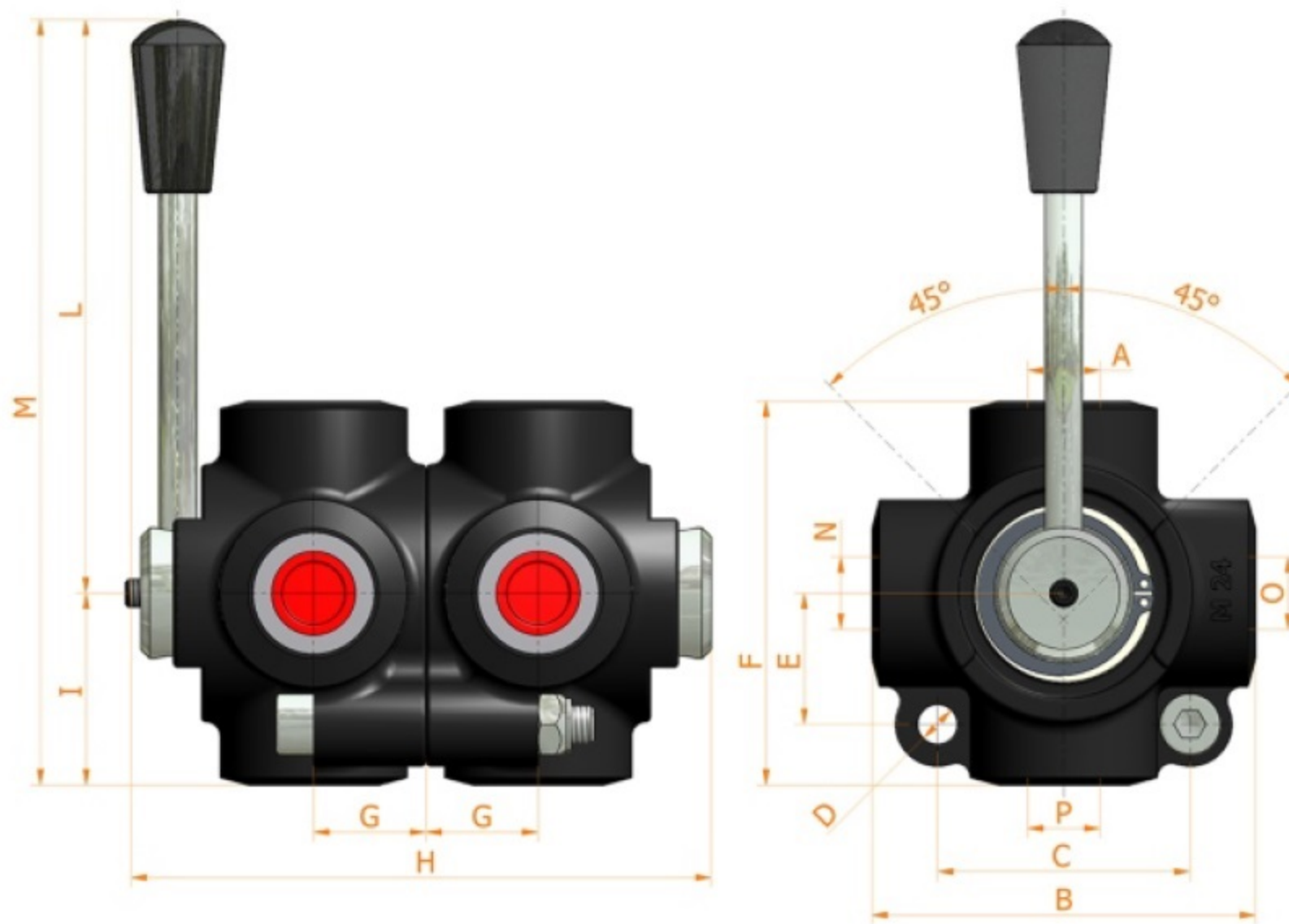
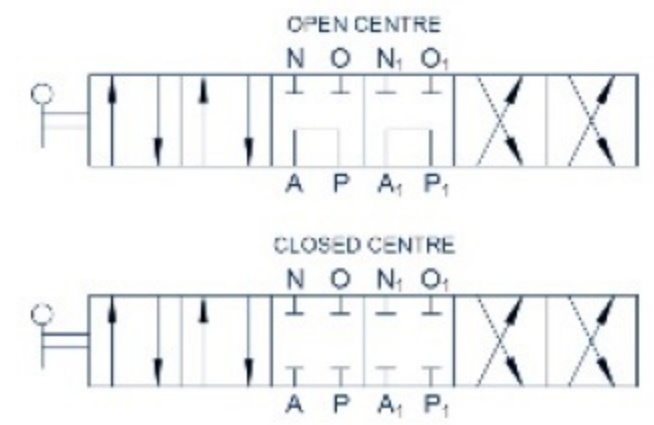
FLOW INVERTERS

hydraulic diagram



D8

8 ways flow inverter



Specifications:

- Iron cast body
- White zinc plated external parts
- Standard colour black

O-N-A GAS	FLOW liters/min	PRESSURE BAR	B mm	C mm	D mm	E mm	F mm	G mm	H mm	L mm	M mm	MASS KG	CODE OF OPEN CENTRE	CODE OF CLOSED CENTRE
1/4"	60+60	350	80	54	8,5	20	80	24	124	115	155	2,300	7005.0104	7005.0111
3/8"	60+60	350	80	54	8,5	28	80	24	124	115	155	2,300	7005.0100	7005.0107
1/2"	60+90	350	80	54	8,5	28	80	24	124	115	155	2,100	7005.0101	7005.0108
3/4"	120+120	350	94	74	10,5	38	94	31	152	115	162	4,300	7005.0102	7005.0109
1"	200+200	300	94	74	10,5	38	94	31	152	115	162	4,000	7005.0103	7005.0110