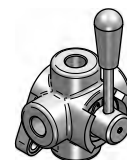
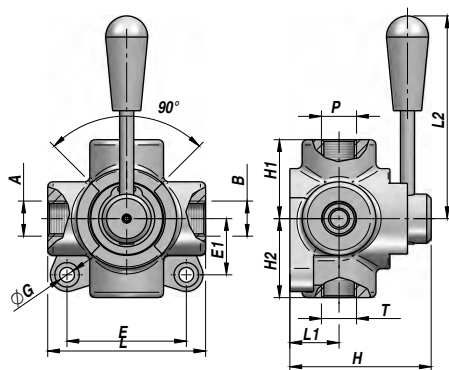
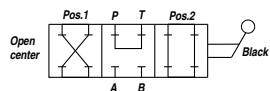


INVERSEURA 4 VOIES - CENTRE OUVERT
4-WAY FLOW REVERSE - OPEN CENTRE

DHZ

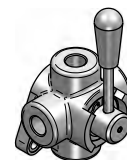
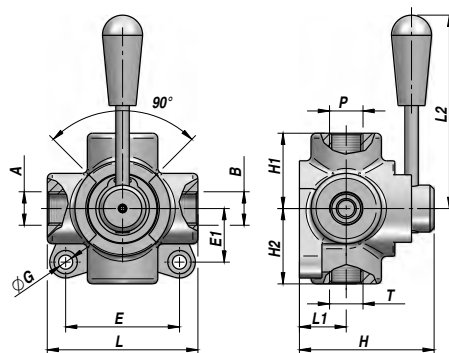
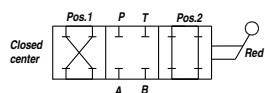


Code Code	P - T BSP	A - B BSP	Q MAX l/min	P MAX bar	Type Type	L	L1	L2	ØG	E	E1	H	H1-2	H2	kg
V73467.A00600	3/8"	3/8"	35	300	4DHZ-A 020	79	25	126	8.5	54	27.5	70	79	XX	X,XX
V73467.A00800	1/2"	1/2"	50	250	4DHZ-A 030	94	30	125	8.5	68	34	78.5	94	XX	X,XX

MATERIEL CORPS : FONTE ZINGUÉ MONTAGE EN LIGNE
 BODY MATERIAL : CAST IRON GALVANIZED LINE MOUNTING

INVERSEURA 4 VOIES - CENTRE FERME
4-WAY FLOW REVERSE - CLOSED CENTRE

DHZ



Code Code	P - T BSP	A - B BSP	Q MAX l/min	P MAX bar	Type Type	L	L1	L2	ØG	E	E1	H	H1-2	H2	kg
V73467.C00600	3/8"	3/8"	35	300	4DHZ-C 020	79	25	126	8.5	54	27.5	70	79	XX	X,XX
V73467.C00800	1/2"	1/2"	50	250	4DHZ-C 030	94	30	125	8.5	68	34	78.5	94	XX	X,XX

MATERIEL CORPS : FONTE ZINGUÉ MONTAGE EN LIGNE
 BODY MATERIAL : CAST IRON GALVANIZED LINE MOUNTING