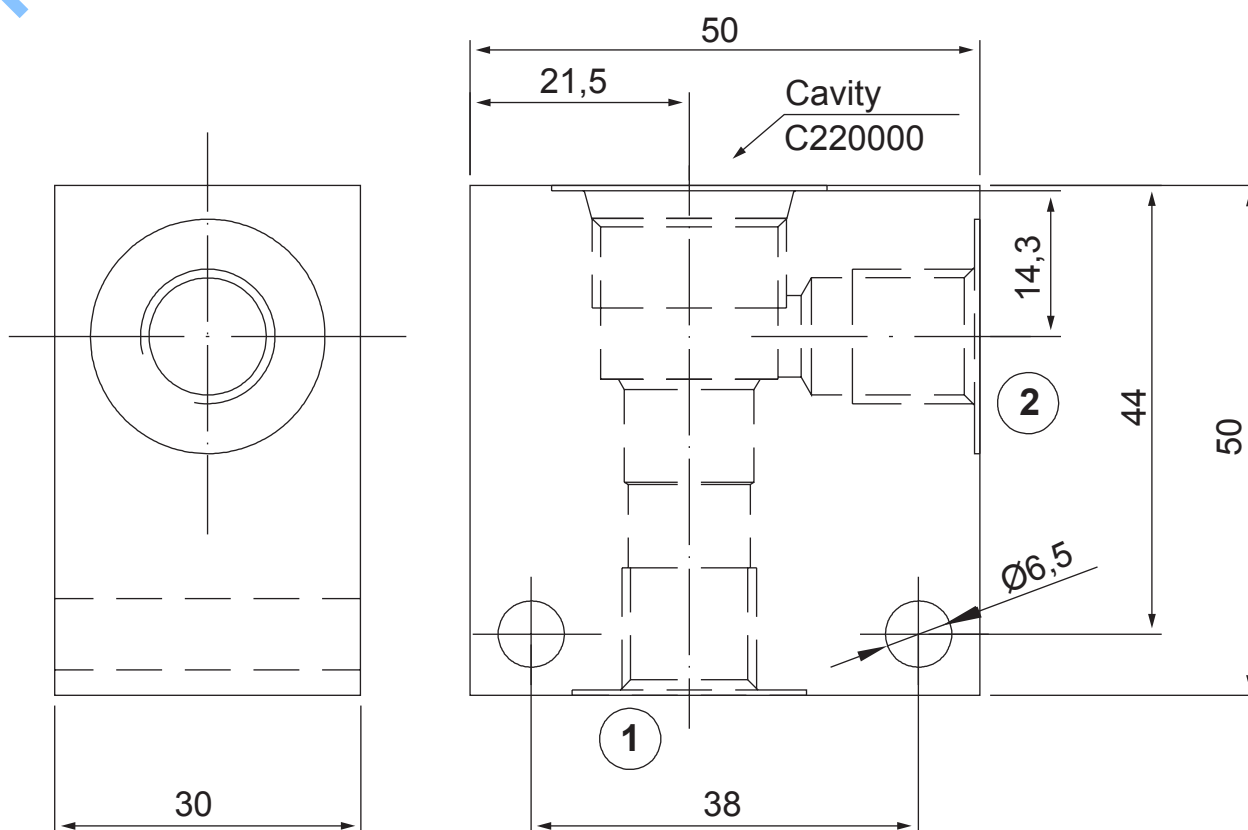
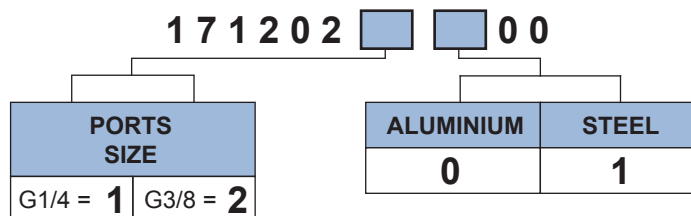


STANDARD BODY FOR LINE MOUNTING

HRV171202100
HRV1712022000

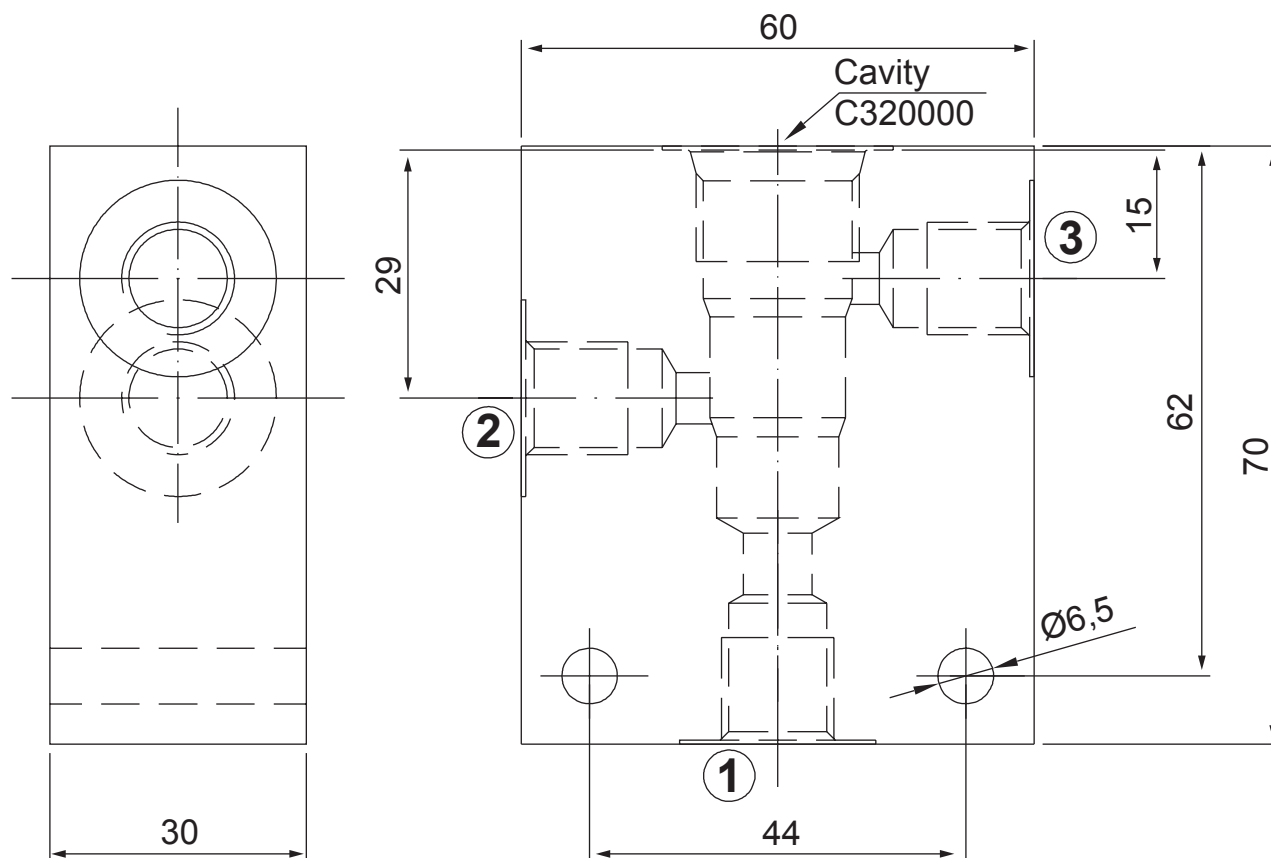


Ordering code

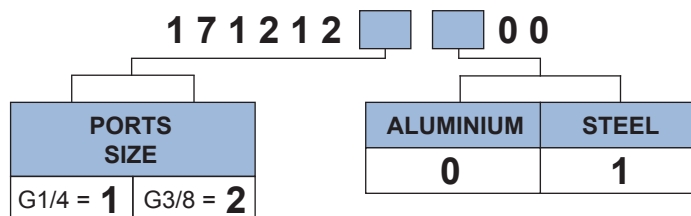


STANDARD BODY FOR LINE MOUNTING

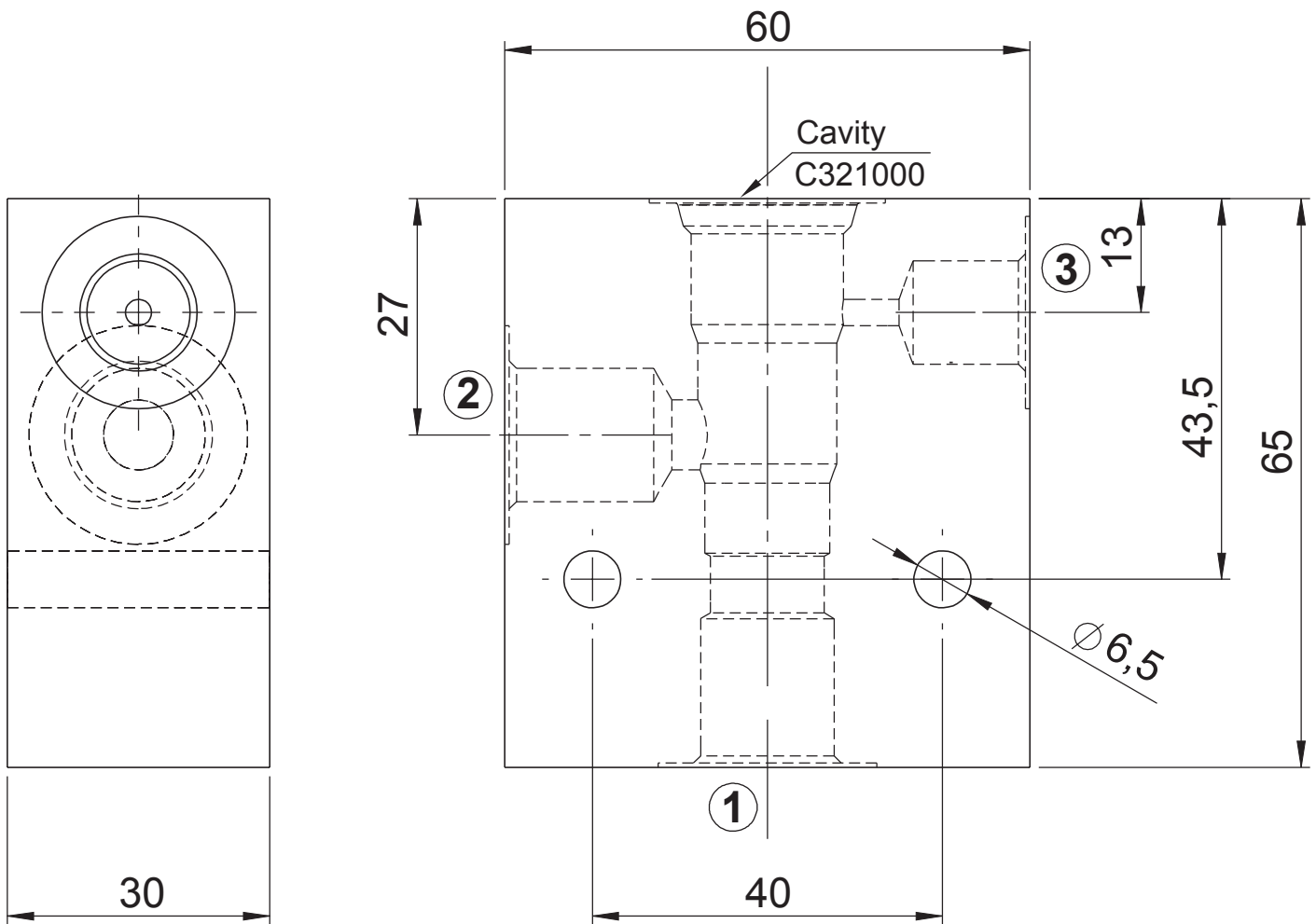
HRV171212100



Ordering code



STANDARD BODY FOR LINE MOUNTING COUNTERBALANCE VALVES



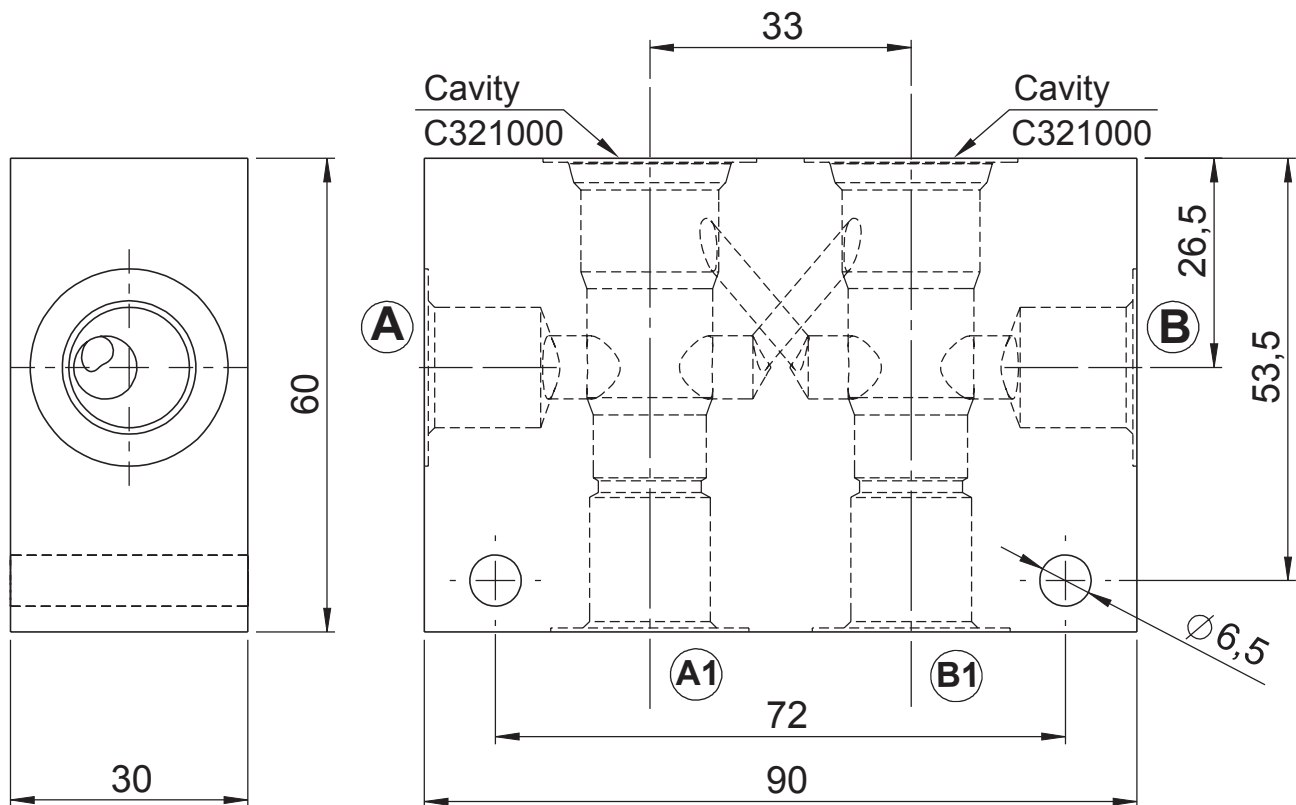
Ordering code

1 7 2 2 1 2 0 0

PORTS SIZE	1-2	3
2	G3/8	G1/4

ALUMINIUM	STEEL
0	1

STANDARD BODY FOR LINE MOUNTING COUNTERBALANCE VALVES DOUBLE CAVITY

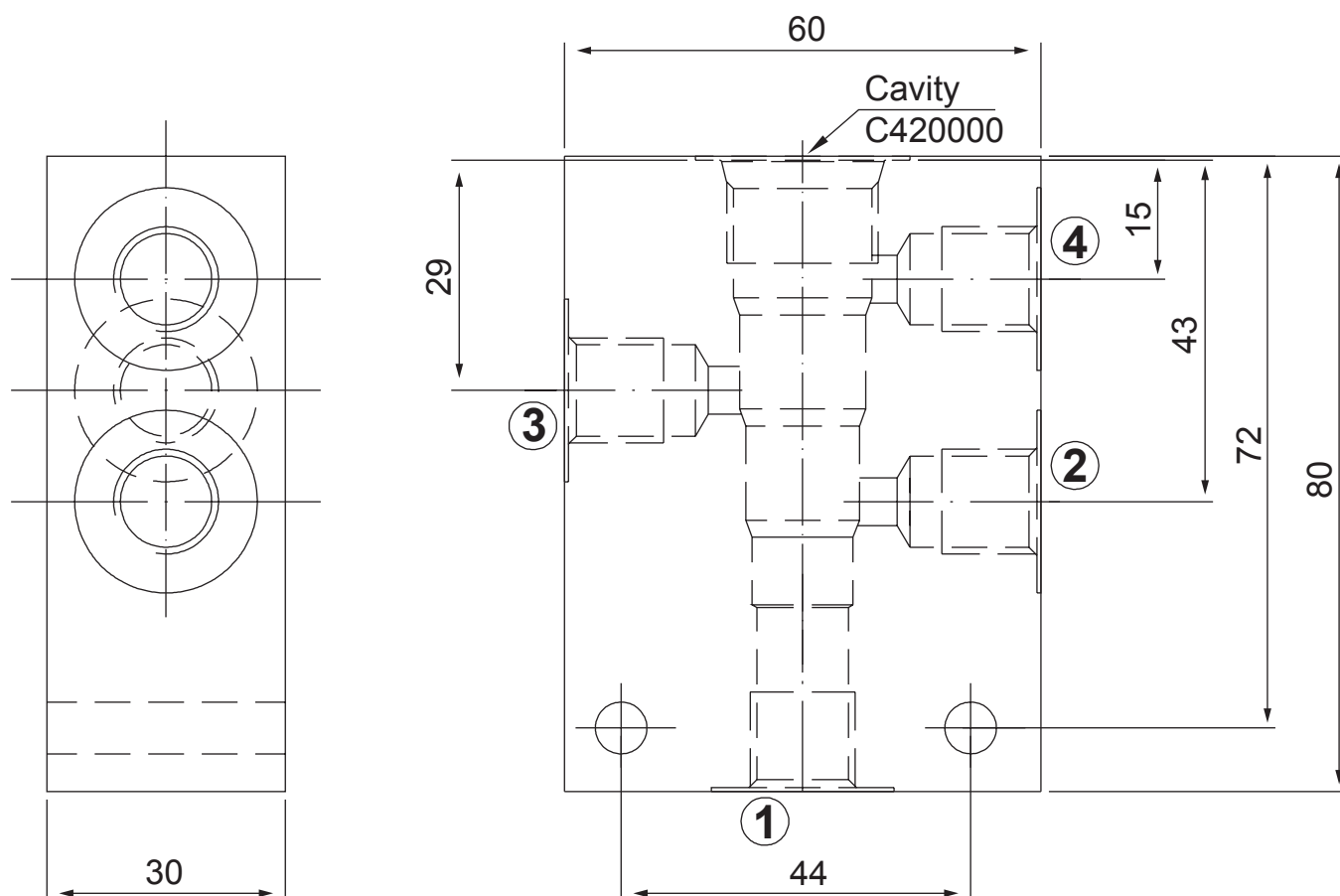


Ordering code

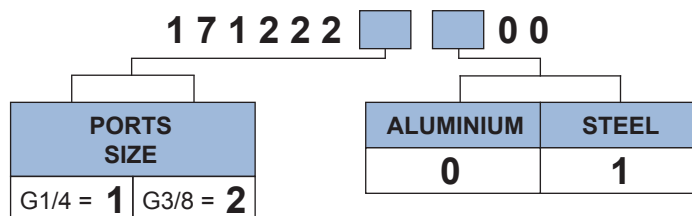
1 7 6 2 1 2 **0 0**

PORTS SIZE	A1-B1	A-B	ALUMINIUM	STEEL
	2	G3/8		

STANDARD BODY FOR LINE MOUNTING

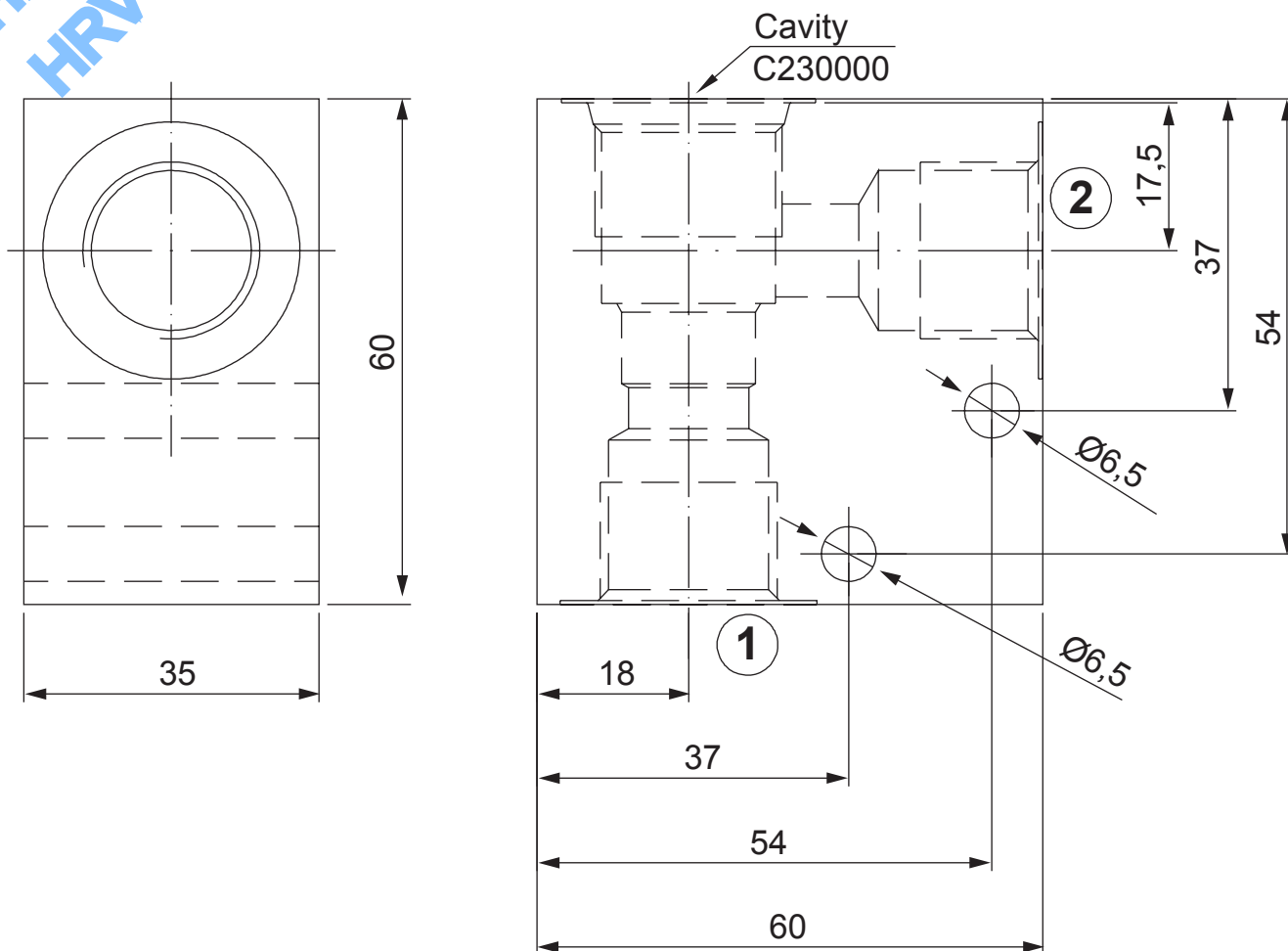


Ordering code

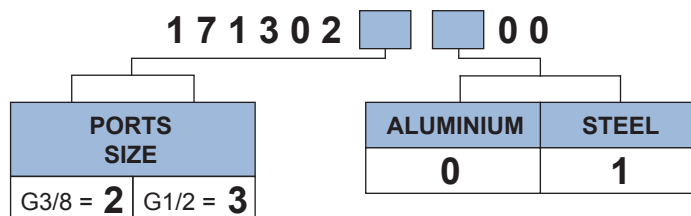


STANDARD BODY FOR LINE MOUNTING

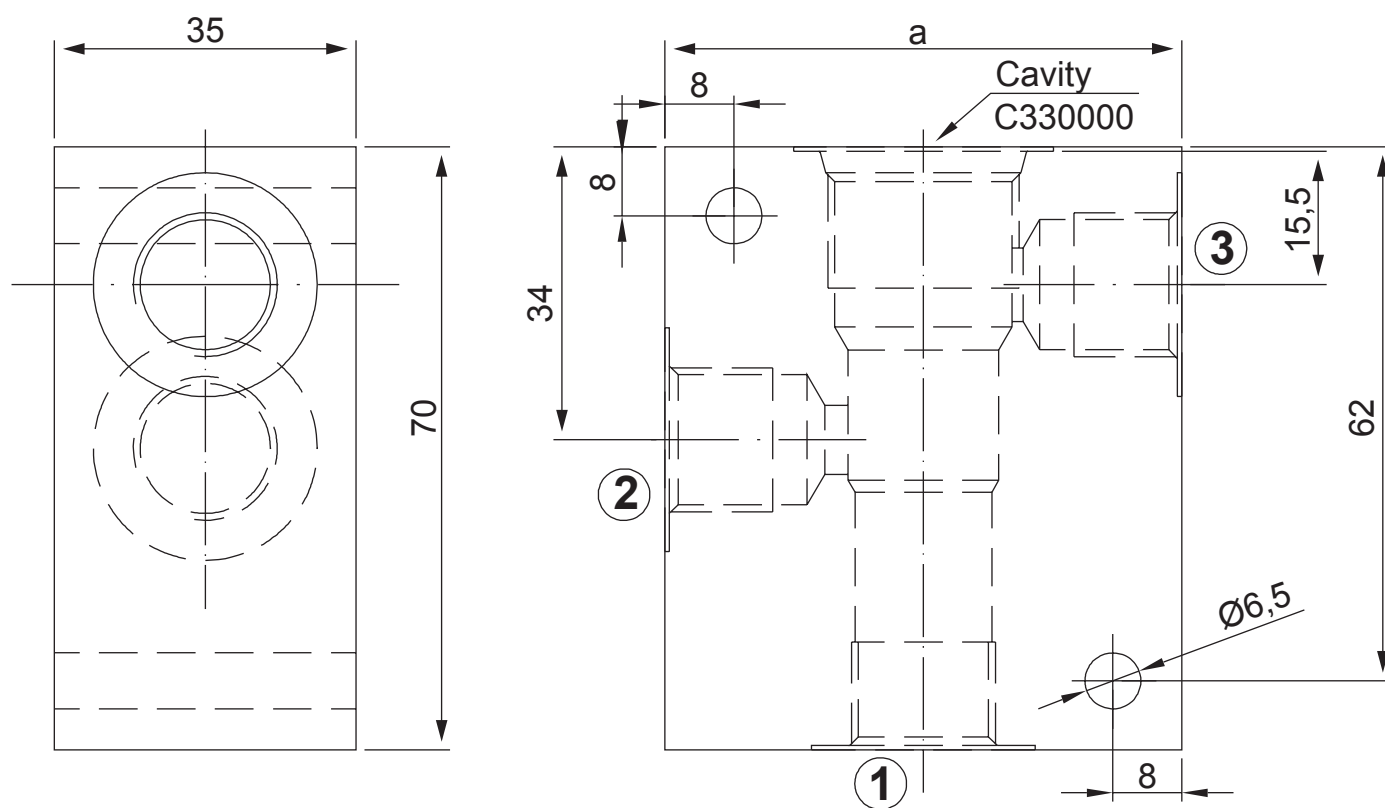
HRV1713023100
HRV1713023100



Ordering code



STANDARD BODY FOR LINE MOUNTING



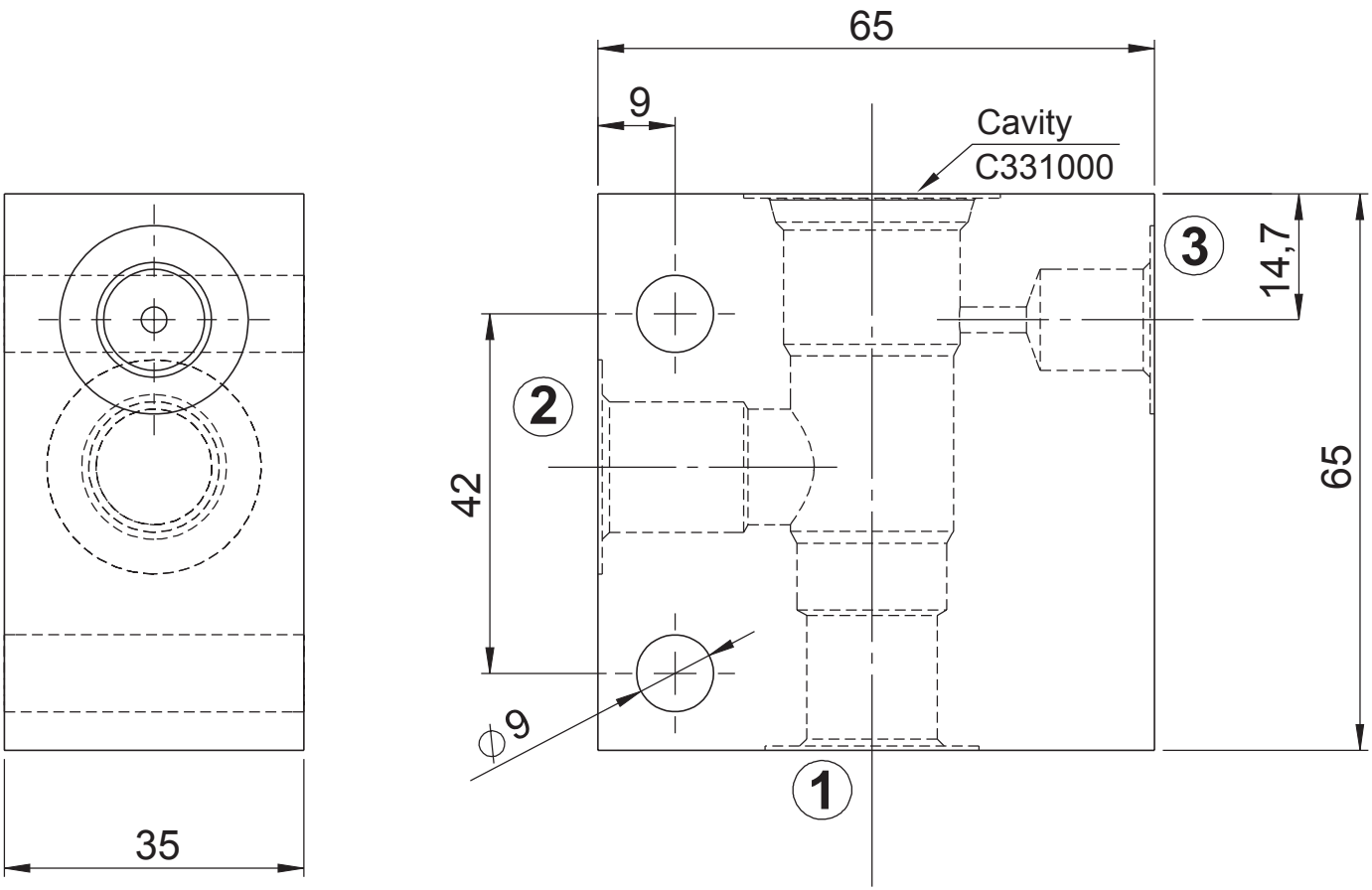
Ordering code

1 7 1 3 1 2 0 0

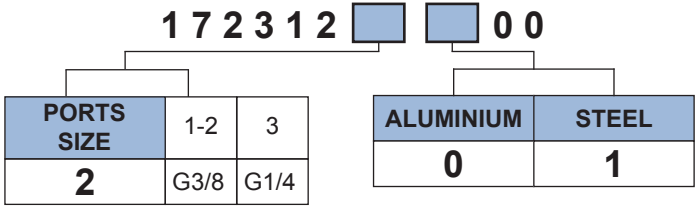
PORTS SIZE			
1	2	3	
PORTS 1-2-3	G1/4	G3/8	G1/2
a	60	60	70

ALUMINIUM	STEEL
0	1

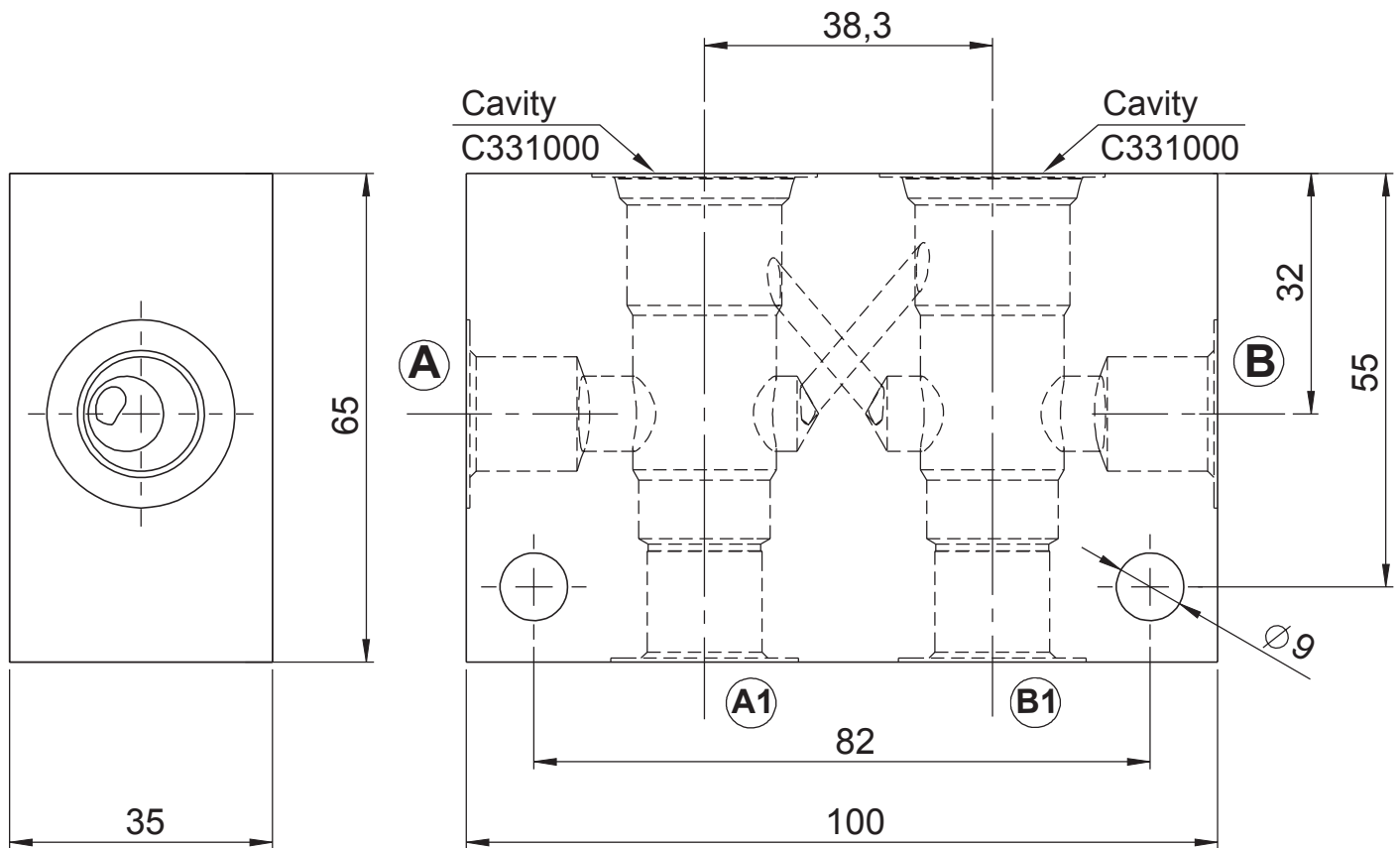
STANDARD BODY FOR LINE MOUNTING COUNTERBALANCE VALVES



Ordering code



STANDARD BODY FOR LINE MOUNTING COUNTERBALANCE VALVES DOUBLE CAVITY

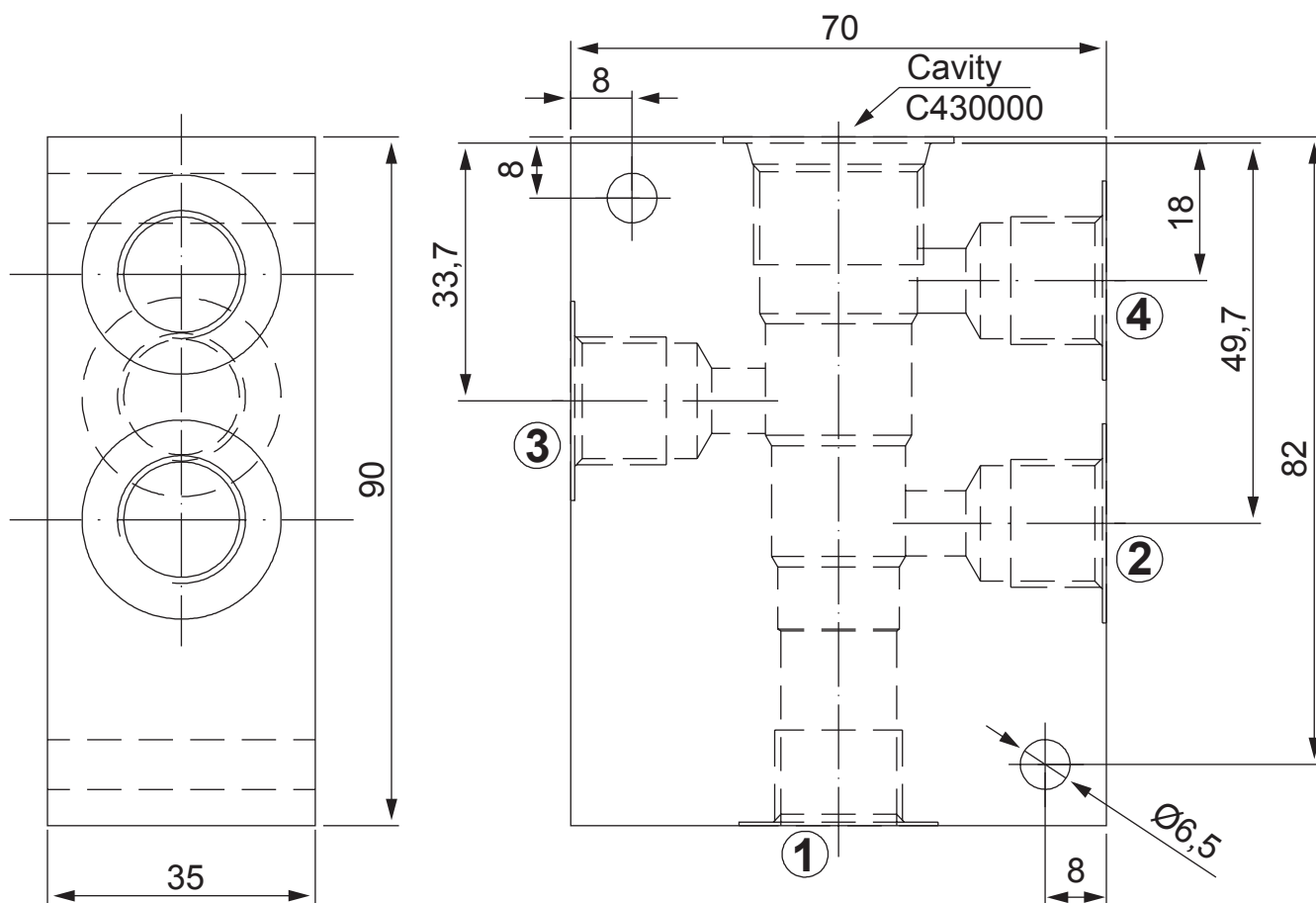


Ordering code

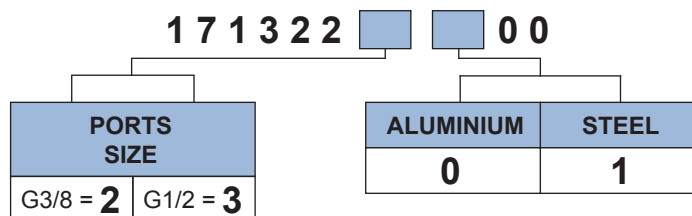
1 7 6 3 1 2 **0 0**

PORTS SIZE	PORTS SIZE		ALUMINIUM	STEEL
	A1-B1	A-B		
2	G3/8	G3/8	0	1

STANDARD BODY FOR LINE MOUNTING

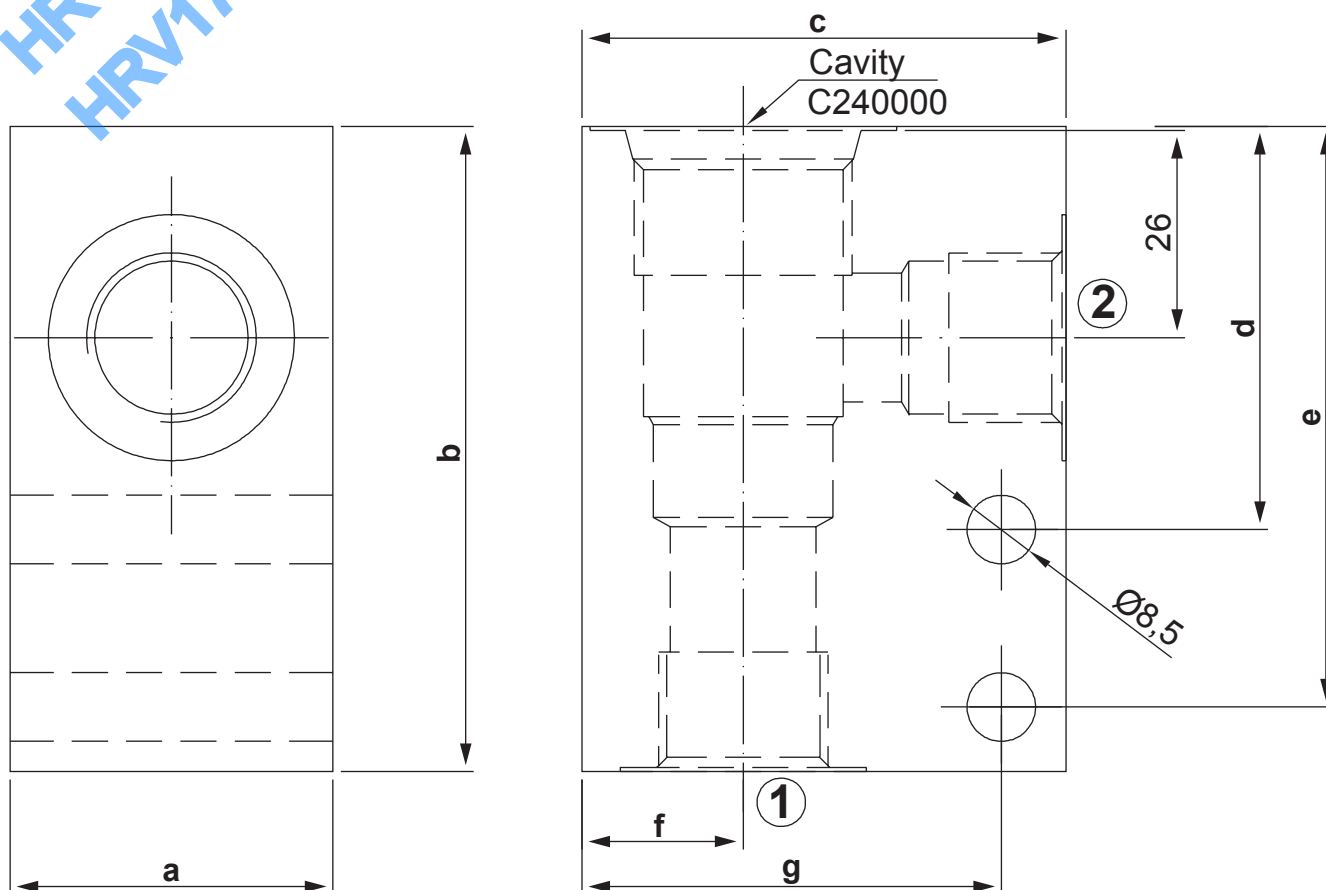


Ordering code



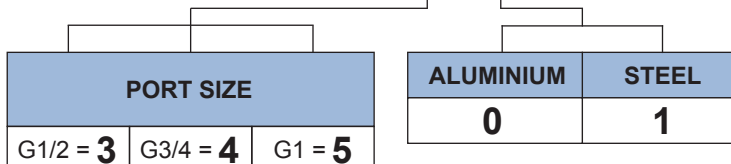
STANDARD BODY FOR LINE MOUNTING

HRV1714024100
HRV1714024100
HRV1714025100



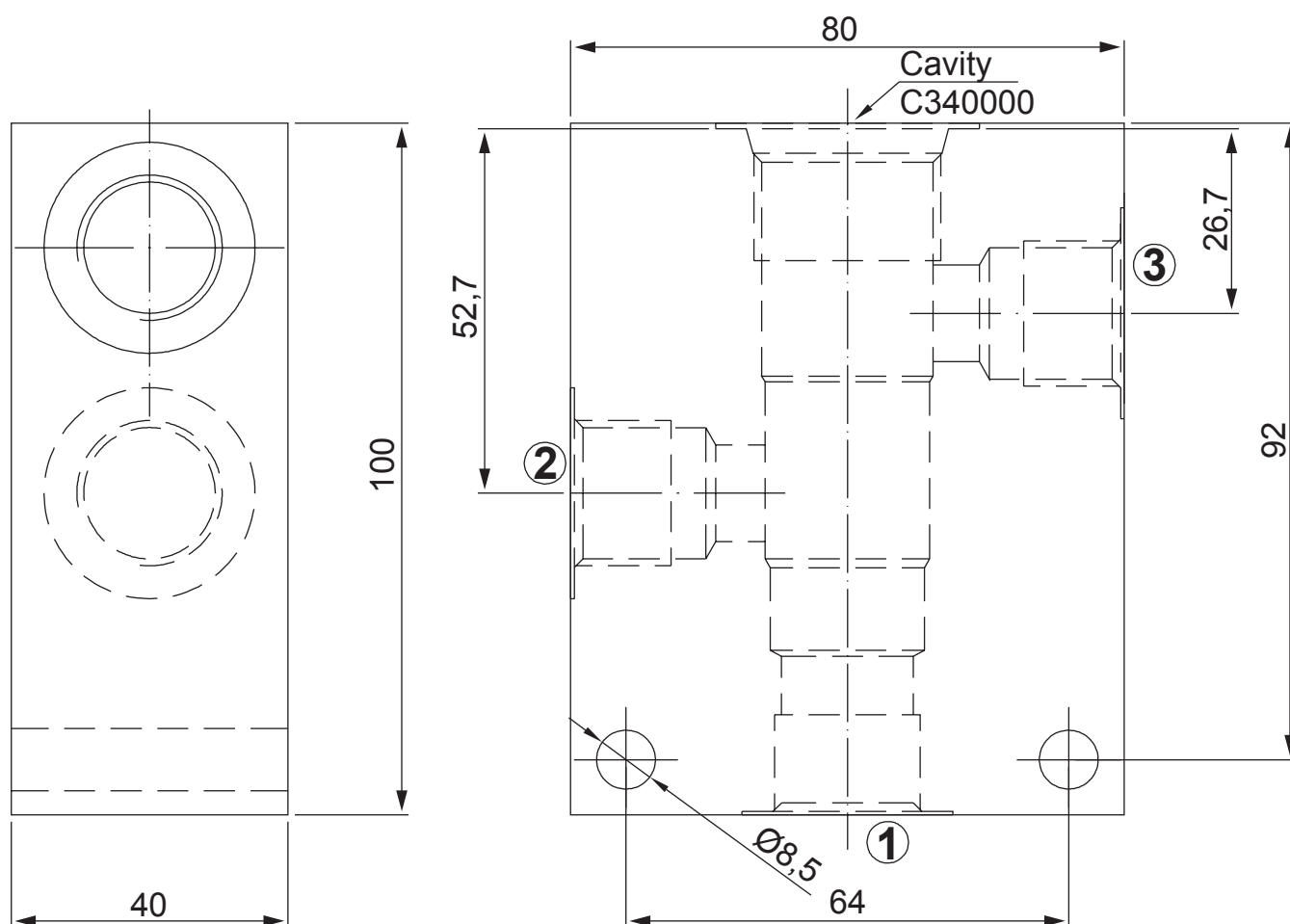
Ordering code

1 7 1 4 0 2 0 0

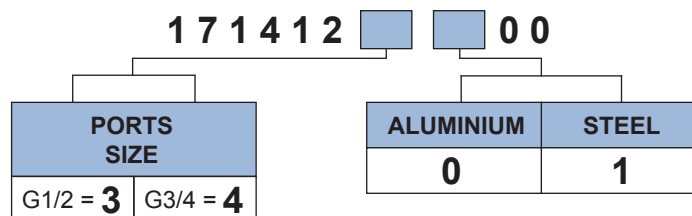


	a	b	c	d	e	f	g
G1/2 = 3	40	80	60	50	72	20	52
G3/4 = 4	40	80	60	50	72	20	52
G1 = 5	50	85	70	55	77	25	62

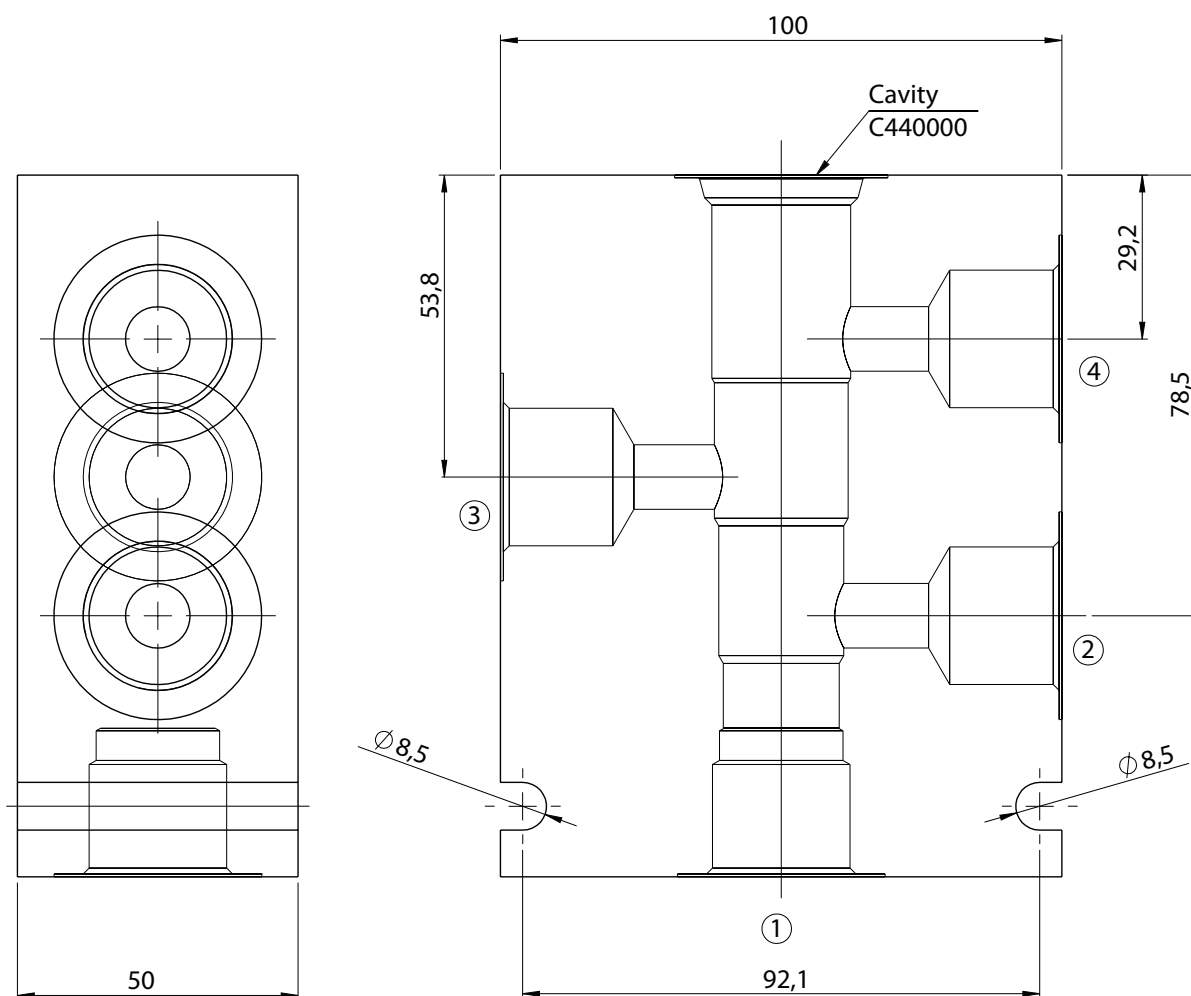
STANDARD BODY FOR LINE MOUNTING



Ordering code



STANDARD BODY FOR LINE MOUNTING



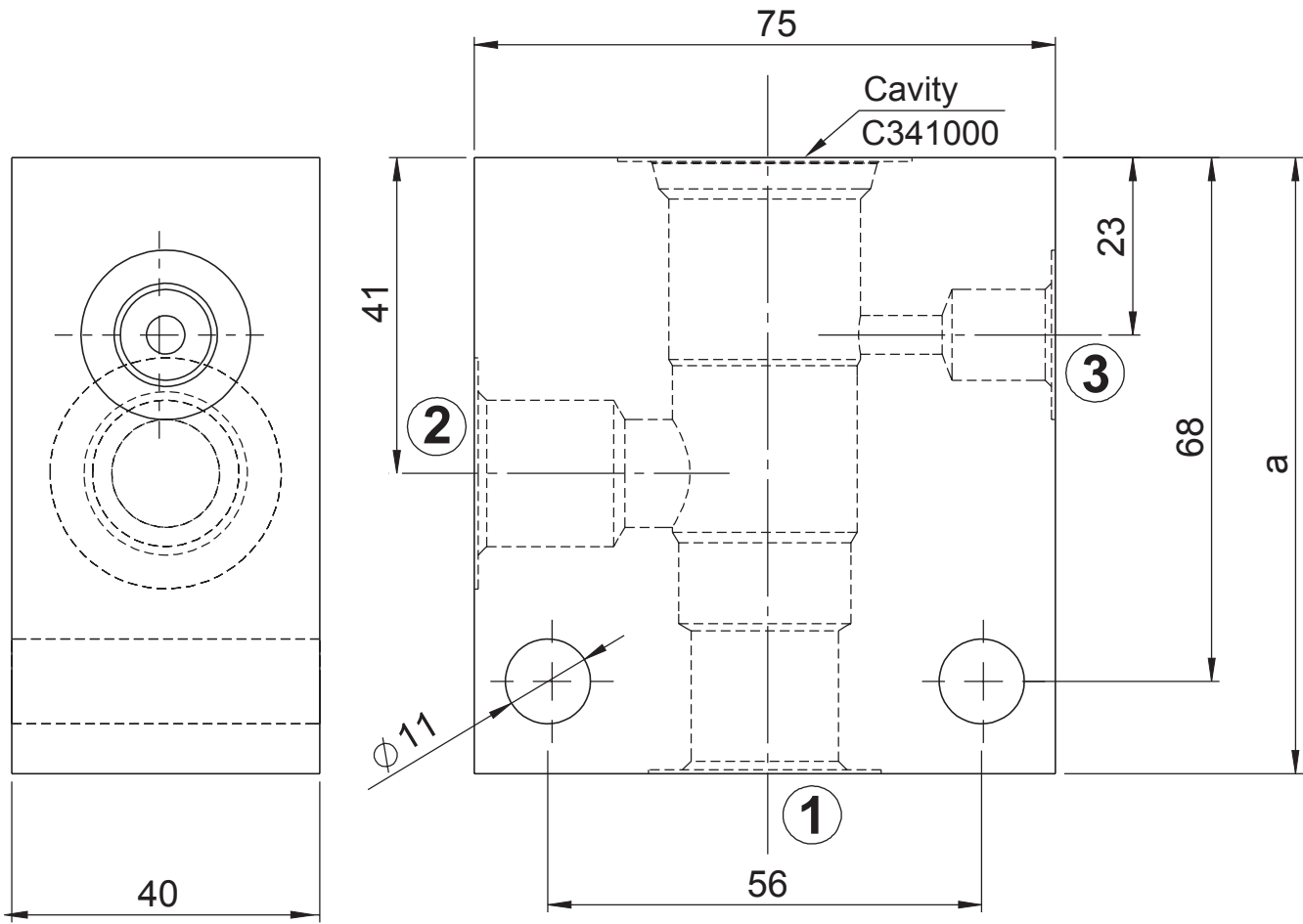
Ordering code

1 7 1 4 2 2 0 0

PORTS SIZE	
4	5
G3/4	G1

ALUMINIUM	STEEL
0	1

STANDARD BODY FOR LINE MOUNTING COUNTERBALANCE VALVES



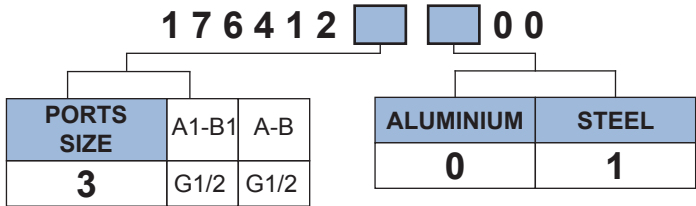
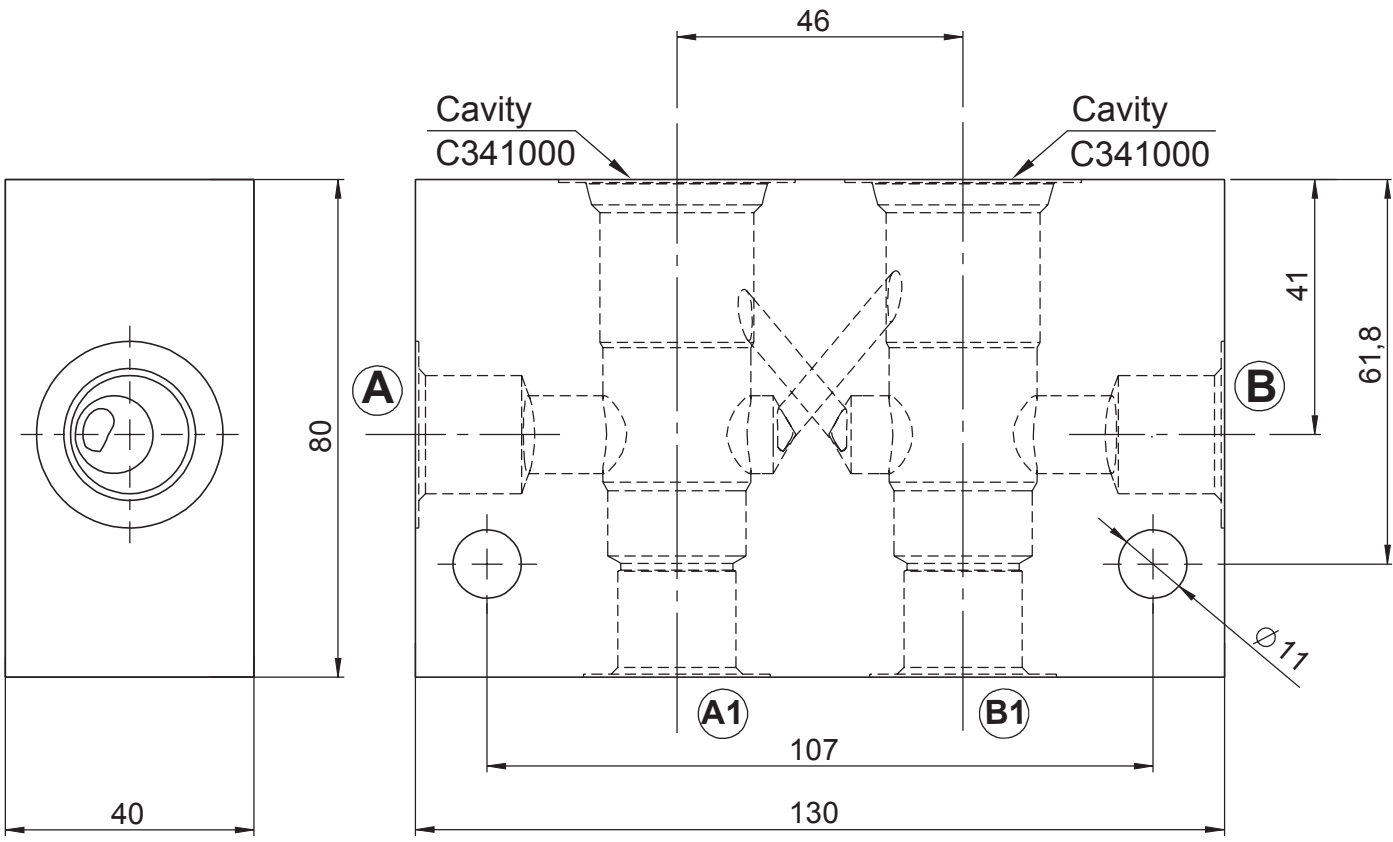
Ordering code

1 7 2 4 1 2 **0 0**

PORTS SIZE	
	3 4
PORTS 1-2	G1/2 G3/4
PORT 3	G1/4 G1/4
a	80 90

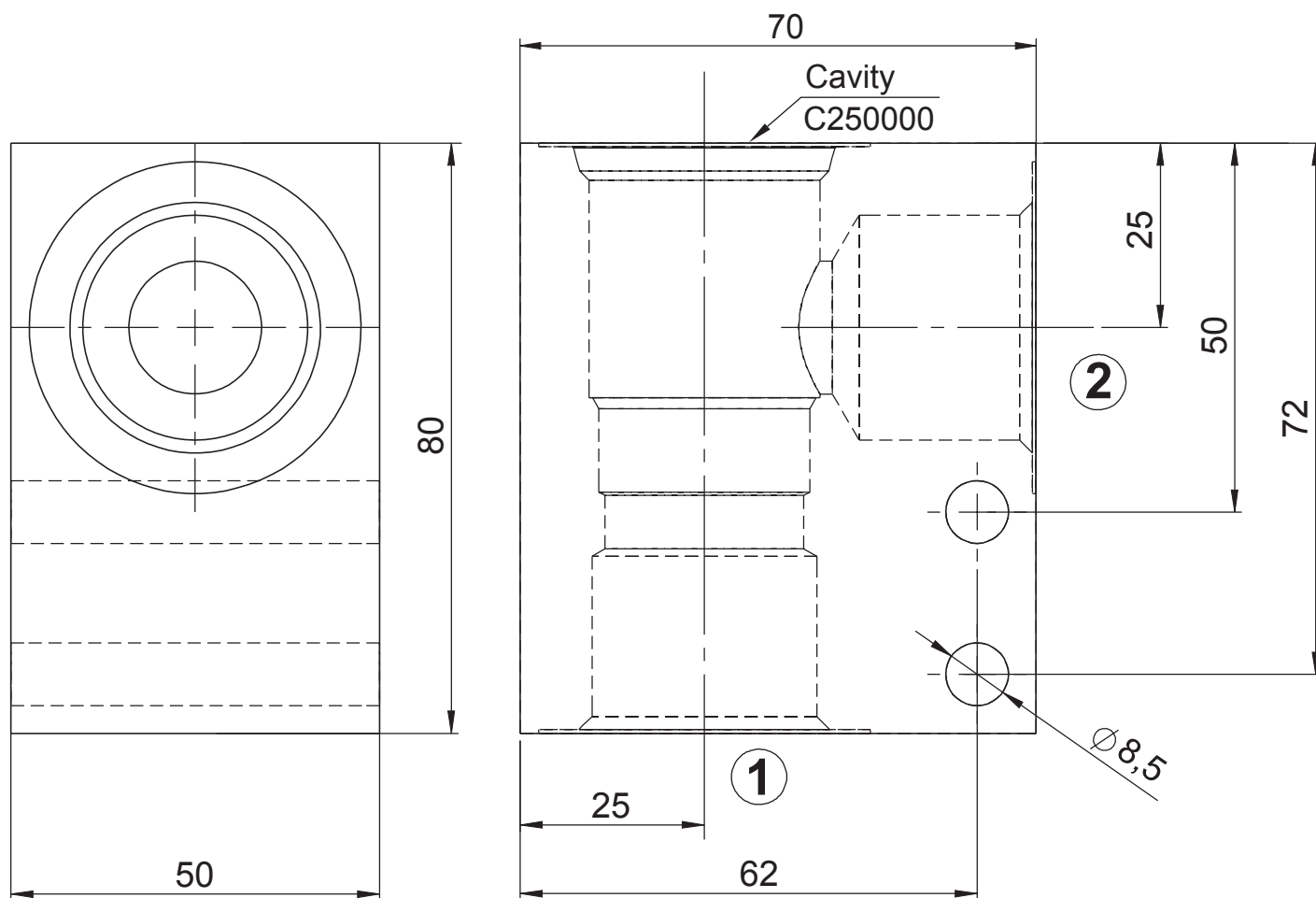
ALUMINIUM	STEEL
0	1

STANDARD BODY FOR LINE MOUNTING COUNTERBALANCE VALVES DOUBLE CAVITY

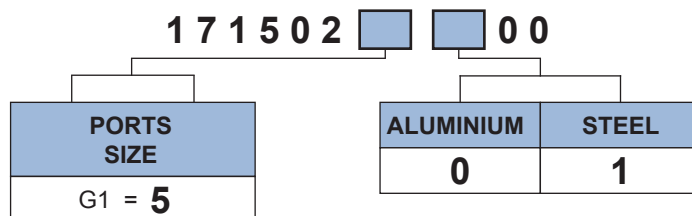


STANDARD BODY FOR LINE MOUNTING

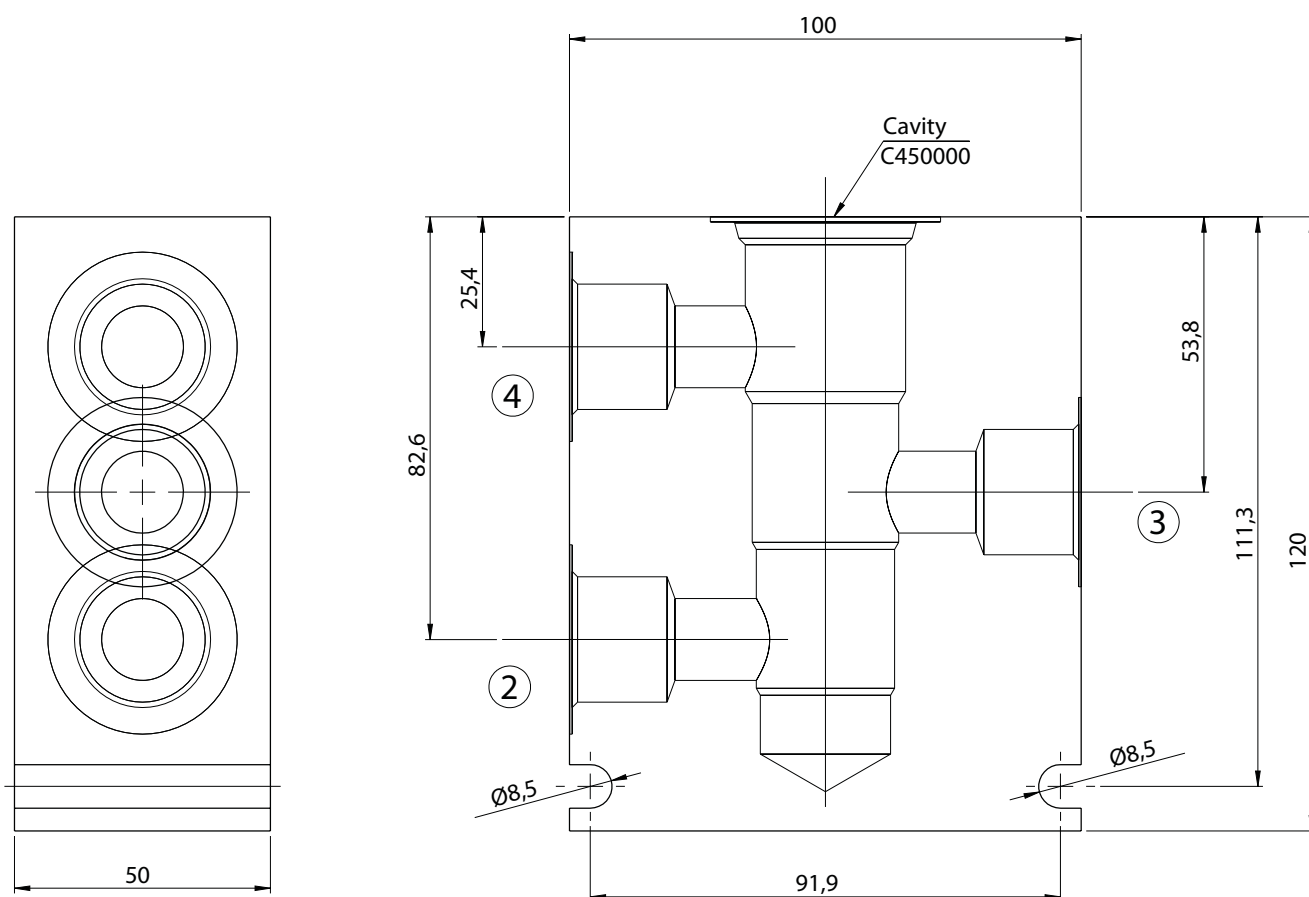
HRV1715023100



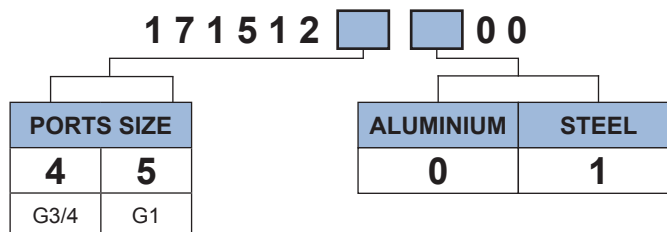
Ordering code



BODY FOR 0825.0 - FLOW DIVIDER / COMBINER



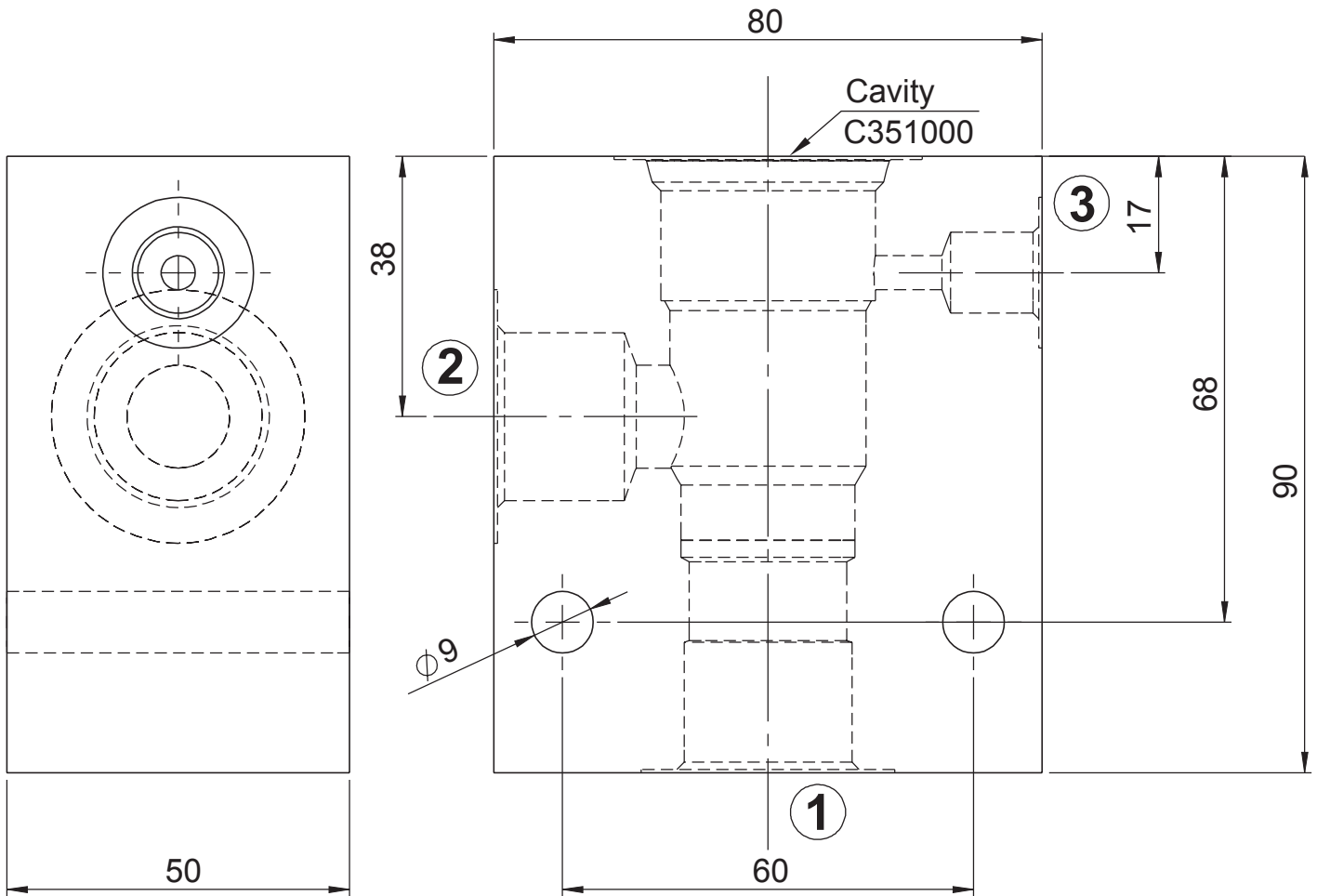
Ordering code



Note:

manifold specific for flow divider/combiner SAE 16 (p/n 0825.0, pag. xxx).

STANDARD BODY FOR LINE MOUNTING COUNTERBALANCE VALVES

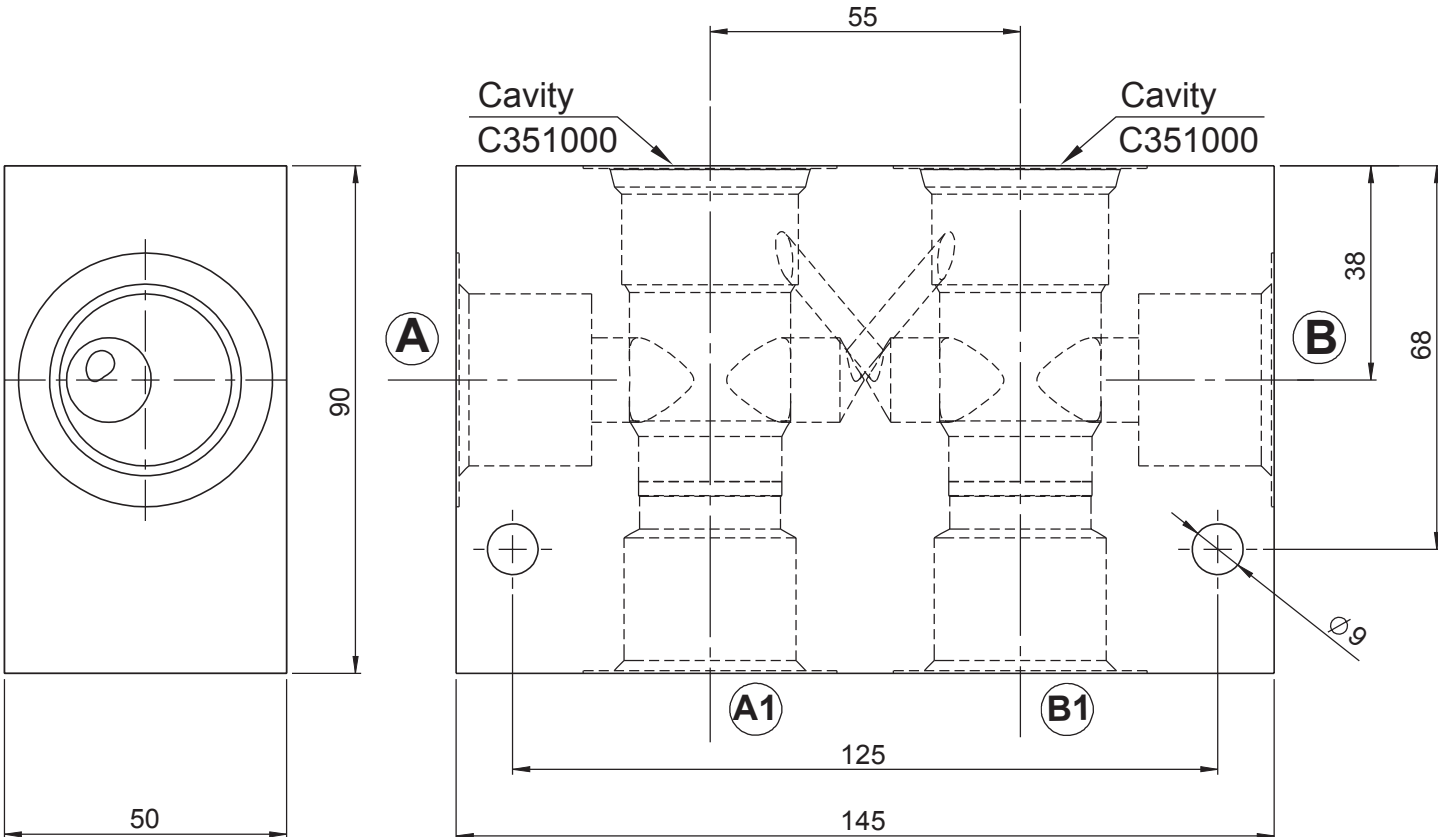


Ordering code

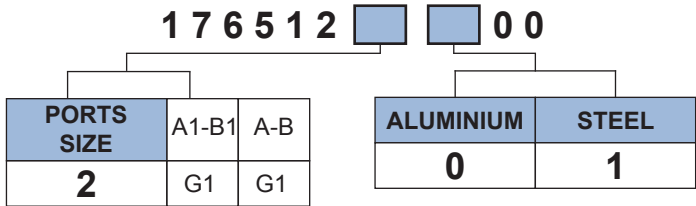
1 7 2 5 1 2 0 0

PORTS SIZE	1-2	3	ALUMINIUM	STEEL
	4	G3/4		

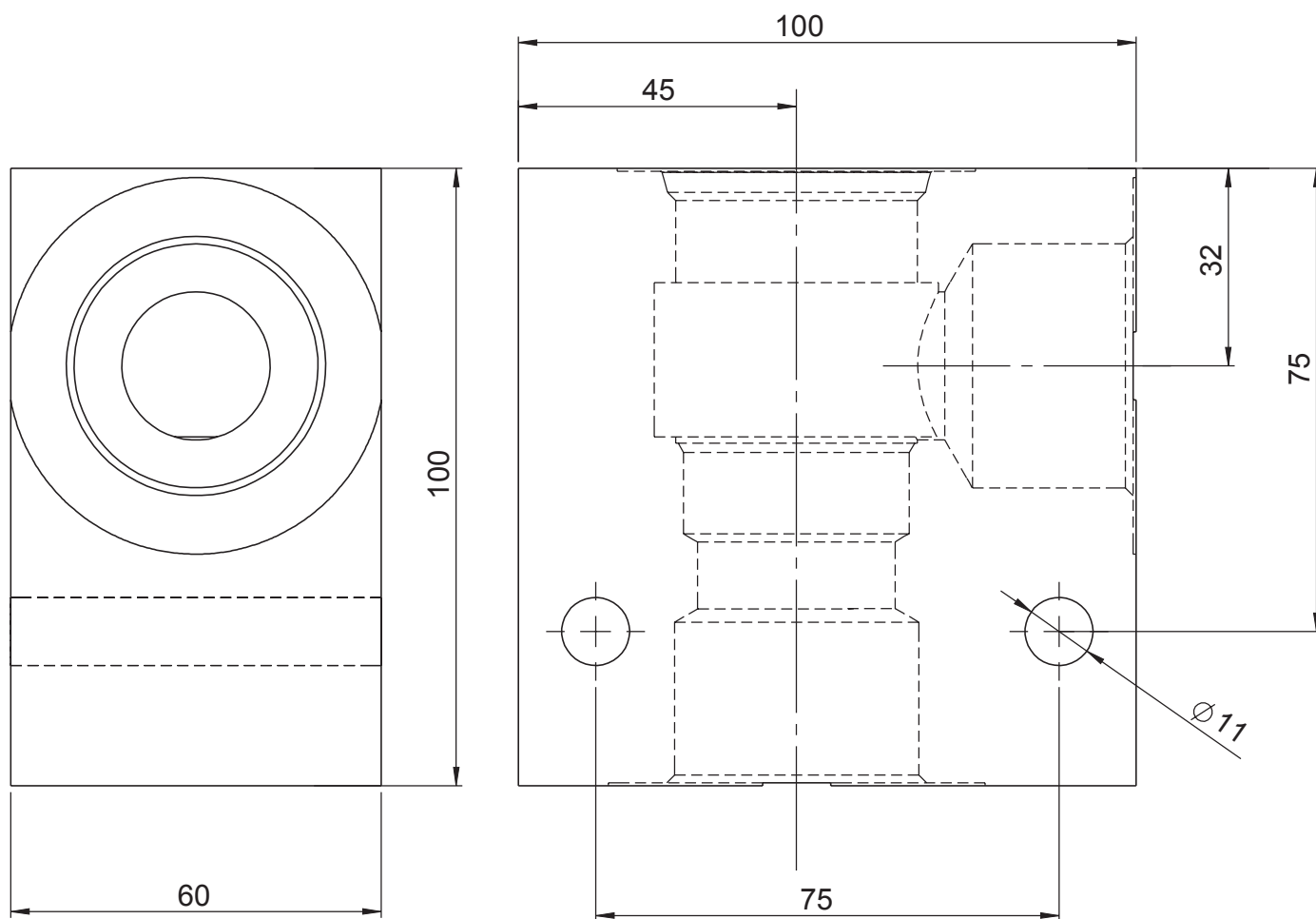
STANDARD BODY FOR LINE MOUNTING COUNTERBALANCE VALVES DOUBLE CAVITY



Ordering code



STANDARD BODY FOR LINE MOUNTING



Ordering code

